



ARN-230-0000/8

Loudspeaker ARN-230-0000/8 is a direct radiator electrodynamic transducer which irradiates the lower up to medium band of the low-frequency spectrum. The loudspeaker is designed to be used in loudspeaker systems as well as in other applications.

ACOUSTICAL DATA:

Rated noise power ¹	110 W
Short term maximum power	450 W
Rated impedance	8 Ohm
Resonance frequency F_s	35.000 Hz
Rated frequency range	40 - 3000 Hz
Sensitivity ²	91 dB

TS PARAMETERS:

Acquired by MLSSA:

Effective piston area S_d	201.060 cm ²
DC resistance of voice coil R_e	6.900 Ohm
Mechanical Q factor Q_{ms}	3.918
Electrical Q factor Q_{es}	0.553
Total Q factor Q_{ts}	0.485
Voice coil inductance L_e	0.509 mH
Equivalent volume V_{as}	31.021 l
Moving mass (including air load) M_{ms}	24.673 g
Suspension compliance C_{ms}	0.542 uM/N
Force factor Bl	9.172 Tm

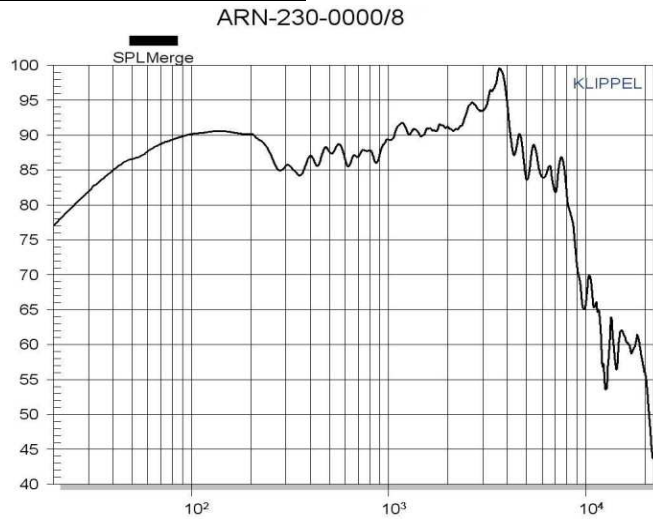
MECHANICAL DATA:

Voice coil carrier material kapton	kapton
Voice coil diameter	36.2 mm
Winding height of voice coil	16 mm
Yoke diameter	35.6 mm
Air gap height	6 mm
Magnet external diameter	115 mm
Magnet internal diameter	43 mm
Magnet height	19 mm
Weight	2.2kg

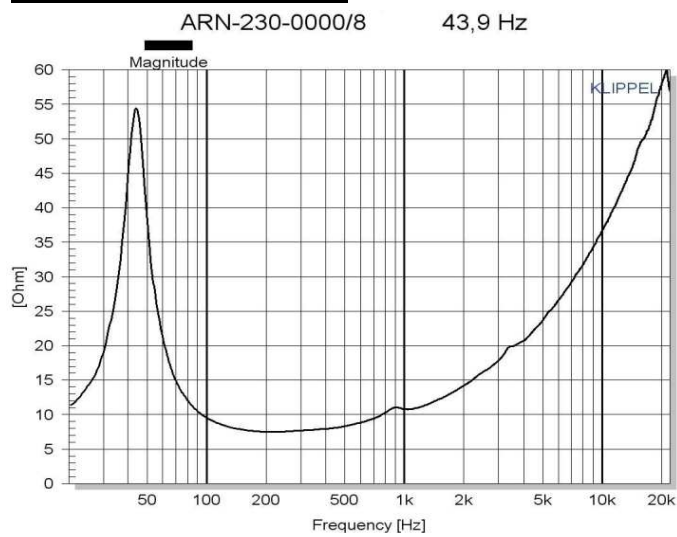
1) ČSN EN 60268-5, acoustic baffle 30 litres

2) ČSN EN 60268-5, standard acoustic baffle 80 Hz - 3000 Hz

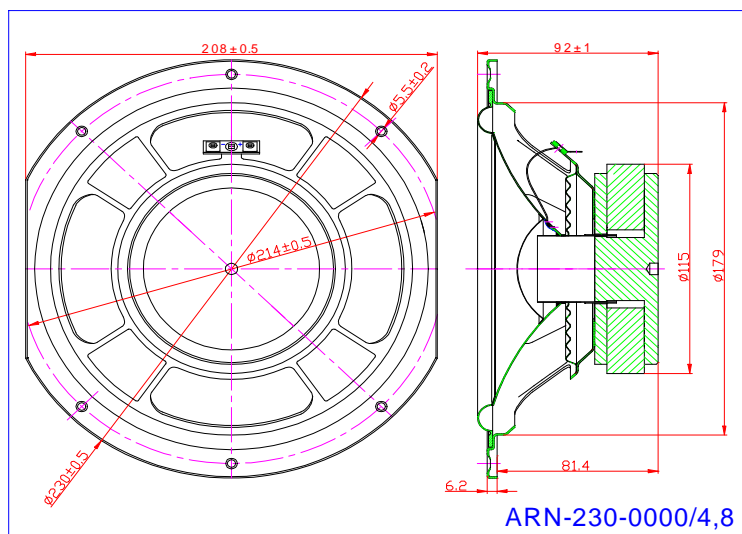
Frequency response:



Impedance Magnitude:



Drawing:



TVM spol. s r. o., Hemy 12, 757 01 Valašské Meziříčí, www.tvm-valmez.cz, tvm@tvm-valmez.cz
telephone numbers: +420 571 673 246, fax: +420 571 611 350