

**MODEL:** CDM-13008 | **DESCRIPTION:** SPEAKER

**FEATURES**

- metal frame
- mylar cone



**SPECIFICATIONS**

parameter	conditions/description	min	typ	max	units
diameter			13		mm
depth			2.9		mm
input power	max. power: IEC-60268-5, filter 60 s on / 120 s off, 10 cycles at room temp		0.2	0.5	W
impedance	at 1.5 kHz, 1 V	6.8	8	9.2	Ω
resonant frequency	at 1 V	880	1100	1,320	Hz
sound pressure level	0.2 W, 10 cm ave. at 1.5, 2.0, 2.5, 3.0 kHz	84	87	90	dB
	1 W, 1 m ave. at 1.5, 2.0, 2.5, 3.0 kHz	71	74	77	dB
response				20,000	Hz
distortion	at 1.5 kHz, 0.2 W			5	%
buzz, rattle, etc.	must be normal at sine wave 1.26 V				
magnet size	size: 6.8 x 1.0 mm				
operating temperature		-20		55	°C
weight			1.1		g
material	metal				
RoHS	yes				

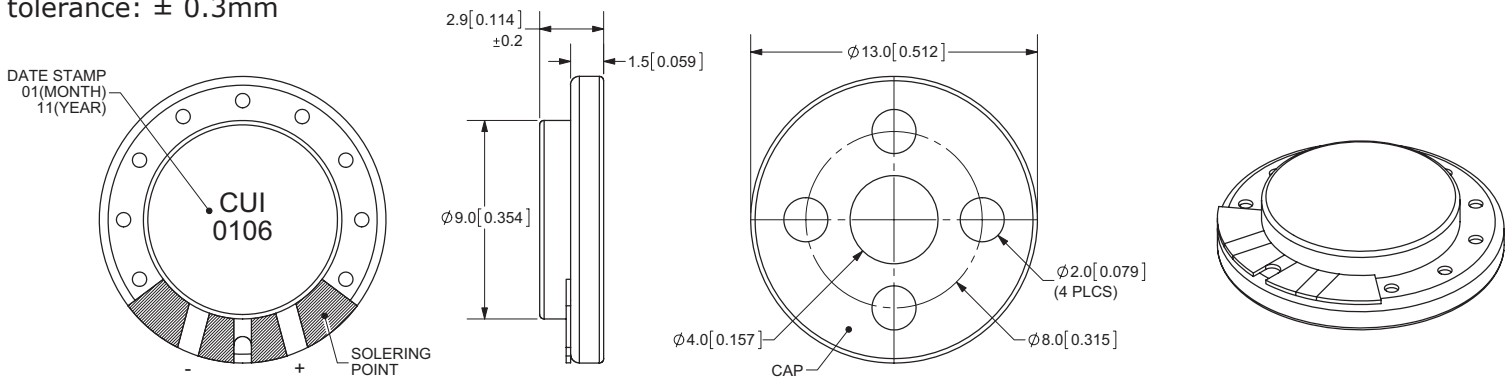
**SOLDERABILITY**

parameter	conditions/description
hand soldering	370 ±10°C for 3 ±1 seconds

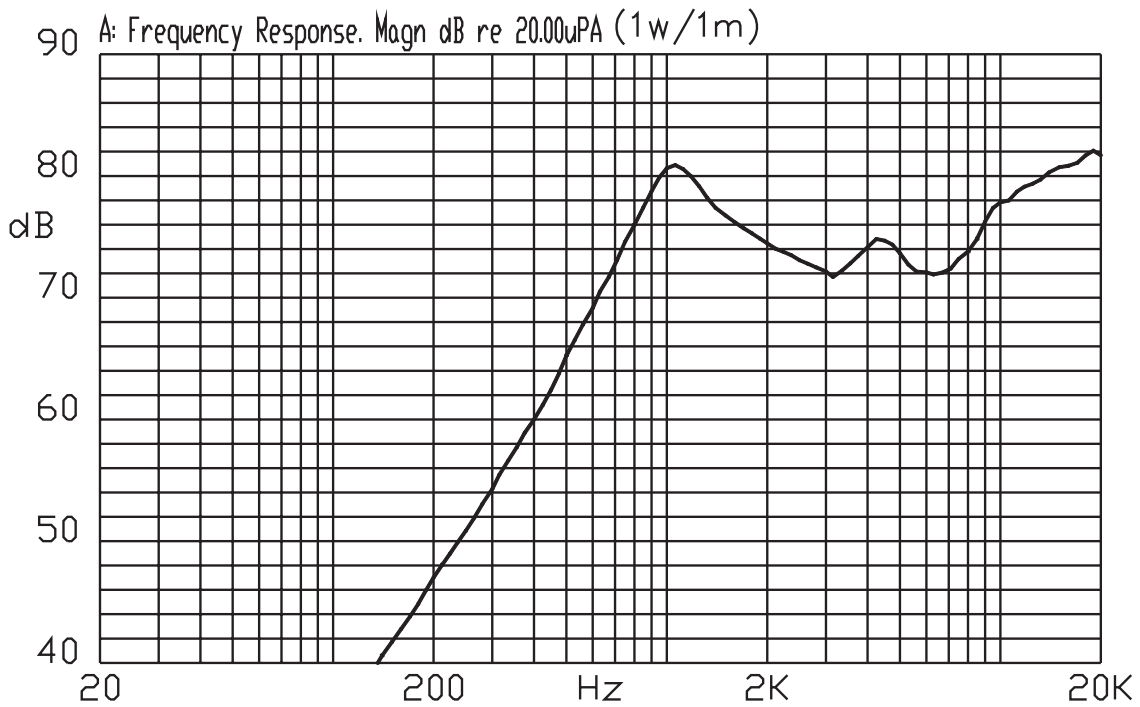
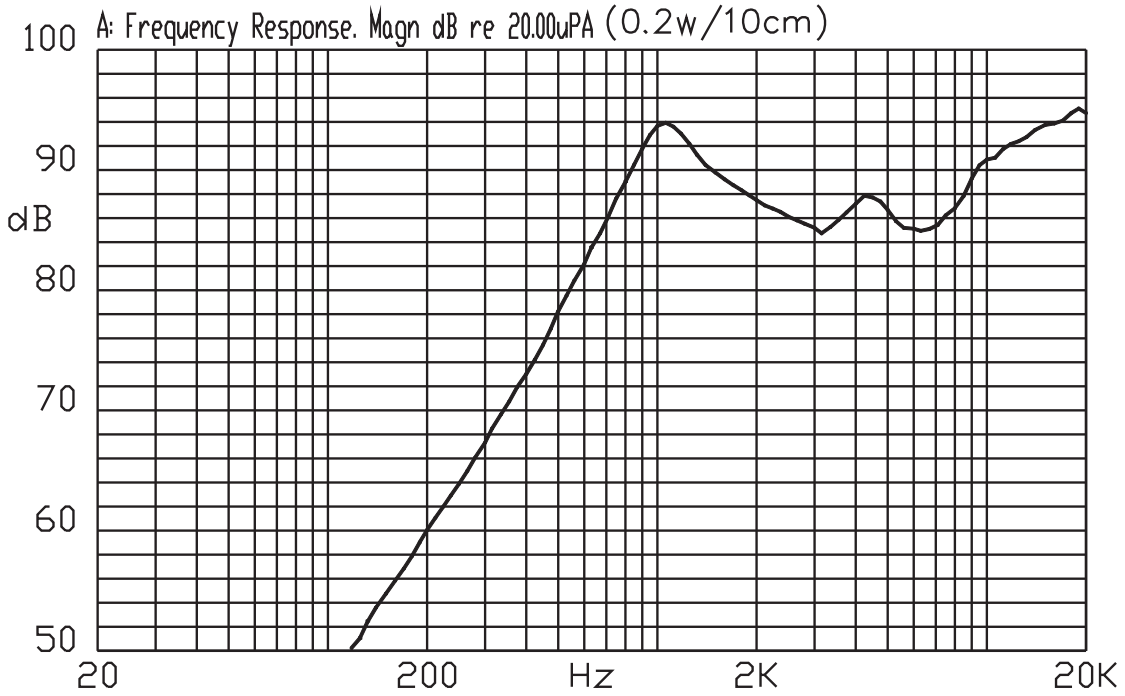
**MECHANICAL DRAWING**

units: mm

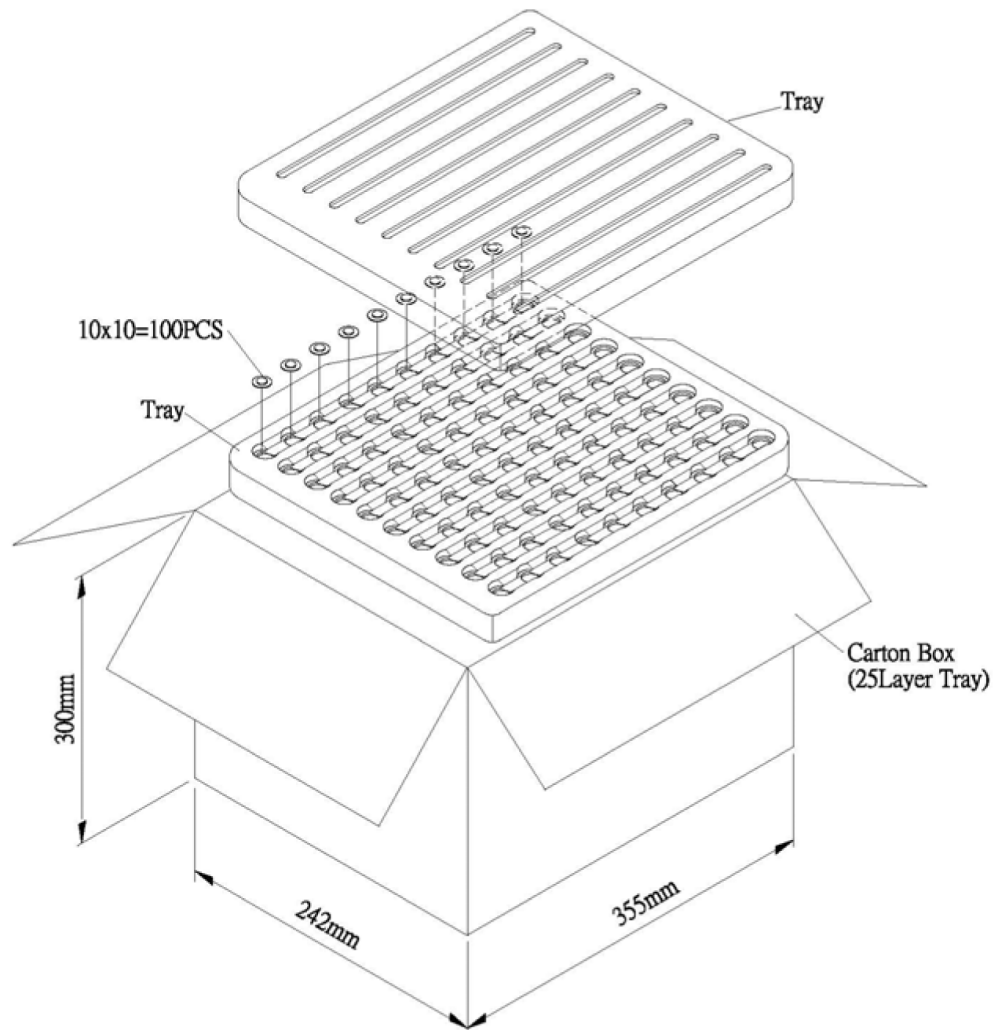
tolerance: ± 0.3mm



## FREQUENCY RESPONSE CURVE



## PACKAGING



Tray	345mmx235mmx20mm	1x100PCS=100PCS
Carton Box	355mmx242mmx300mm	100PCSx25=2,500PCS

## REVISION HISTORY

---

rev.	description	date
1.0	initial release	11/08/2011

The revision history provided is for informational purposes only and is believed to be accurate.



**Headquarters**  
20050 SW 112th Ave.  
Tualatin, OR 97062  
**800.275.4899**

Fax 503.612.2383  
**cui.com**  
techsupport@cui.com

CUI offers a one (1) year limited warranty. Complete warranty information is listed on our website.

CUI reserves the right to make changes to the product at any time without notice. Information provided by CUI is believed to be accurate and reliable. However, no responsibility is assumed by CUI for its use, nor for any infringements of patents or other rights of third parties which may result from its use.

CUI products are not authorized or warranted for use as critical components in equipment that requires an extremely high level of reliability. A critical component is any component of a life support device or system whose failure to perform can be reasonably expected to cause the failure of the life support device or system, or to affect its safety or effectiveness.