

FRS7S

Visaton 6,5 cm (2.5") HiFi fullrange driver (2018)

[BACK](#)



General description

6.5 cm (2.5") full-range speaker with balanced frequency response and very good highs. Especially suitable as built-in speaker for music reproduction and as driver for 100 V network column speakers. Very low resonance frequency.

Typical applications:

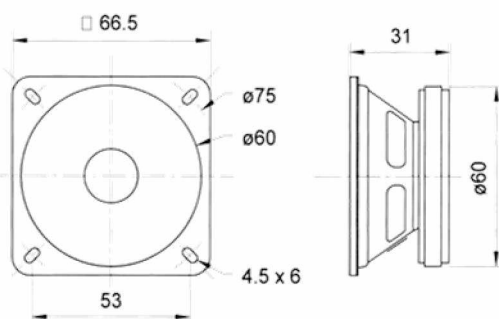
- Narrow network column speakers
- Control speaker for electronic devices
- Model construction
- Electronic musical instruments

Attributes:

- Water proof cone
- Metal basket
- 100 °C temperature resistant

Technical Data:

Rated power 8 W
Maximum power 15 W
Nominal impedance 8 Ohm
Frequency response 120–20000 Hz
Mean sound pressure level 84 dB (1 W/1 m)
Maximum cone displacement 3 mm
Resonance frequency f_s 150 Hz
Magnetic induction 1,2 T
Magnetic flux 160 μ Wb
Height of front pole-plate 2 mm
Voice coil diameter 14 mm
Height of winding 5 mm
Cutout diameter 61 mm
Net weight 0,2 kg
D.C. resistance R_{dc} 7,2 Ohm
Mechanical Q factor Q_{ms} 5,38
Electrical Q factor Q_{es} 2,01
Total Q factor Q_{ts} 1,46
Equivalent volume V_{as} 0,9 l
Effective piston area S_d 22 cm^2
Dynamically moved mass M_{ms} 0,8 g
Force factor B_{xl} 1,8 T m
Inductance of the voice coil L 0,6 mH
Heat resistance -25 ... 100 °C



drawing

