

FULL RANGE LOUDSPEAKER GD 10/10/1 /2

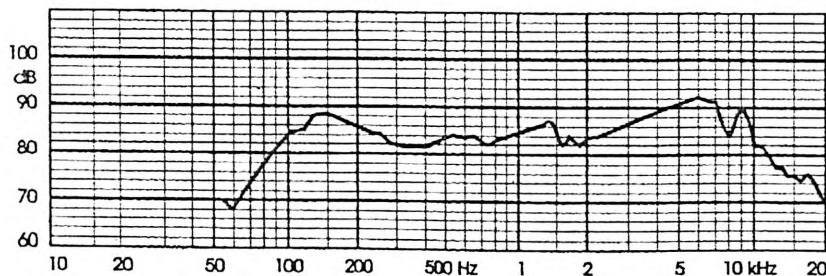
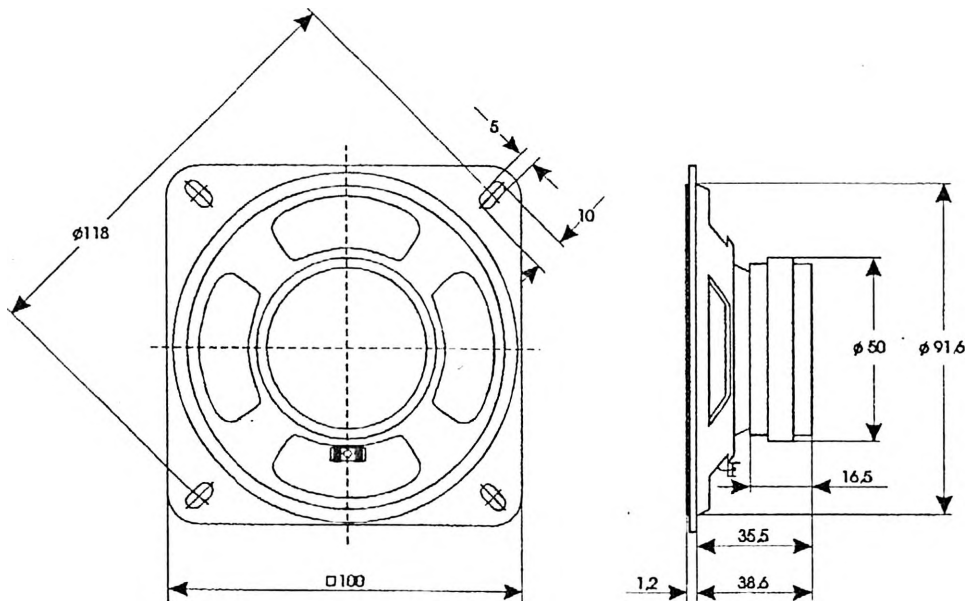
9 5157 006

TECHNICAL DATA

Rated impedance	4	8	Ω
Voice coil resistance	3,6	7	Ω
Rated frequency range	100 to 10000		Hz
Resonance frequency	145		Hz
Power handling capacity, Loudspeaker unmouted, 100h continuous/	10		W
Max. power	15		W
Sensitivity	89		dB
Flux density	0,85		T
Energy in air gap	14,7		mJ
Air - gap	14/4/0,68		mm
Voice coil height	5,3	5,8	mm
Magnet	ferrite		
- material	50/22/8		mm
- dimensions	0,063		kg
- mass	0,25		kg
Mass of loudspeaker			

AVAILABLE VERSIONS

- GD 10/10/1 - 4Ω, catalogue number 9 5157 006 09 - metallized dustcap
- GD 10/10/1 - 8Ω, catalogue number 9 5157 006 13 - metallized dustcap
- GD 10/10/2 - 4Ω, catalogue number 9 5157 006 17 - textile dustcap
- GD 10/10/2 - 8Ω, catalogue number 9 5157 006 21 - textile dustcap



FREQUENCY RESPONSE CURVE

Measured in anechoic room at 0.1W/0.5m. Loudspeaker mounted on IEC baffle