

FULL RANGE LOUDSPEAKER GD 10/10/3

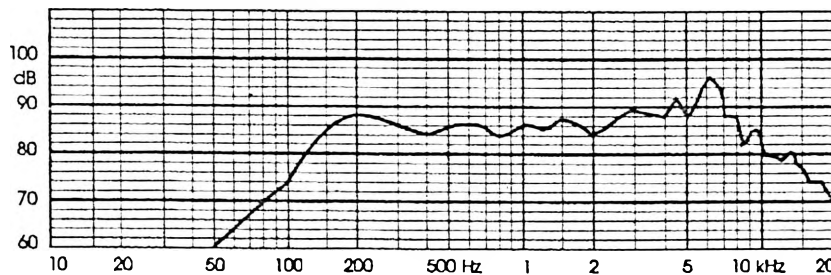
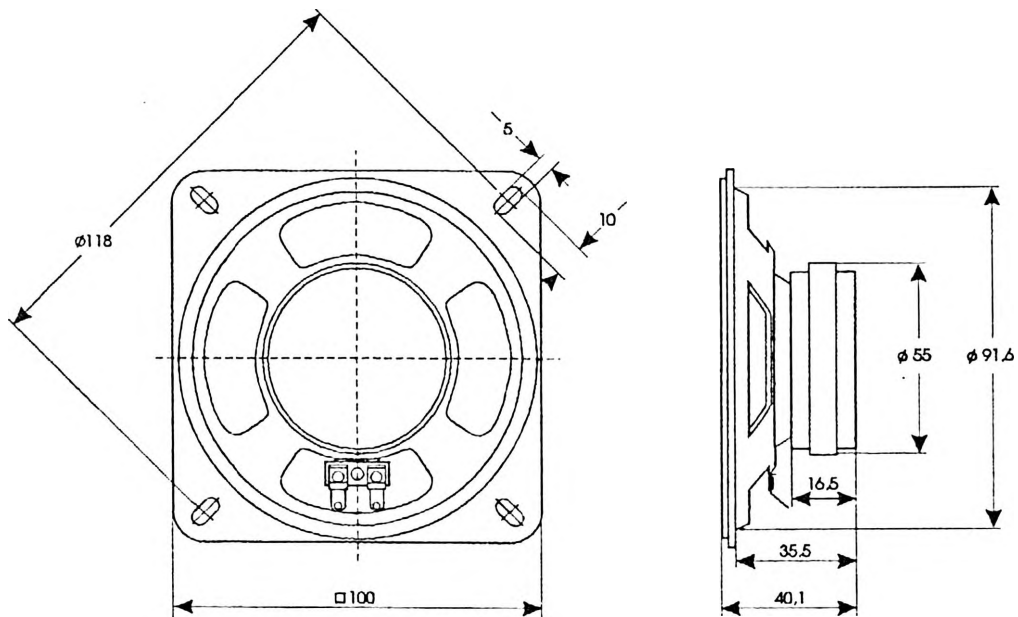
9 5157 068

TECHNICAL DATA

Rated impedance	4 Ω
Voice coil resistance	3,6 Ω
Rated frequency range	100 to 10000 Hz
Resonance frequency	145 Hz
Power handling capacity, /loudspeaker unmouted, 100h continuous/	10 W
Max. power	15 W
Sensitivity	90 dB
Flux density	0,97 T
Energy in air gap	53 mJ
Air - gap	14/4/0,775 mm
Voice coil height	5,3 mm
Magnet	ferrite
- material	55/23/8 mm
- dimensions	0,078 kg
- mass	0,28 kg
Mass of loudspeaker	

AVAILABLE VERSIONS

- GD 10/10/3 - 4 Ω , catalogue number 9 5157 068 02



FREQUENCY RESPONSE CURVE

Measured in anechoic room at 0,1W/0,5m. Loudspeaker mounted on IEC baffle