

FULL RANGE LOUDSPEAKER GD 10/2

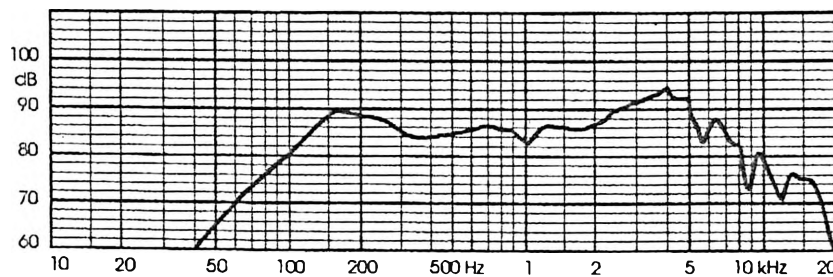
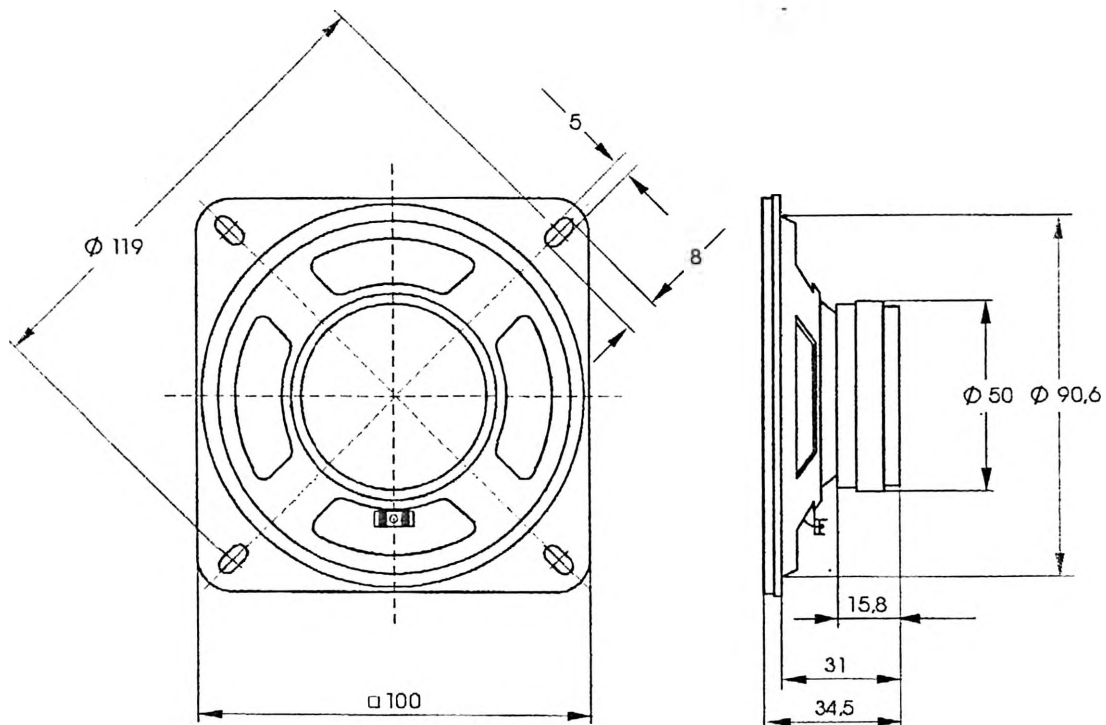
9 5157 013

TECHNICAL DATA

Rated impedance	4	8	Ω
Voice coil resistance	3,6	6,9	Ω
Rated frequency range	120 to 7500		kHz
Resonance frequency	170		kHz
Power handling capacity, loudspeaker unmounted, 100 h continuous/	2	3	W
Max power	91		W
Sensitivity			dB
Flux density	0,9	0,95	T
Energy in air gap	46		mJ
Air-gap	14/4/0,775	14/4/0,7	mm
Voice coil height	5,3	4,8	mm
Magnet			
- material	ferrite		
- dimensions	50/22/8		mm
- mass	0,063		kg
Mass of loudspeaker	0,25		kg

AVAILABLE VERSIONS

- GD 10/2 - 4 Ω , catalogue number 9 5157 013 05
- GD 10/2 - 8 Ω , catalogue number 9 5157 013 01



FREQUENCY RESPONSE CURVE
Measured in anechoic room at 0,1W / 0,5m, Loudspeaker mounted on IEC baffle.