

# FULL RANGE LOUDSPEAKER GD 10/4

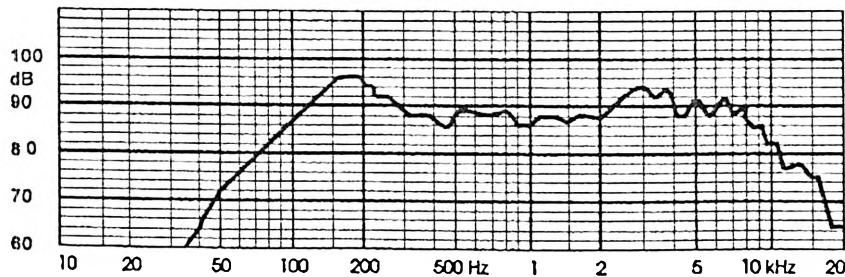
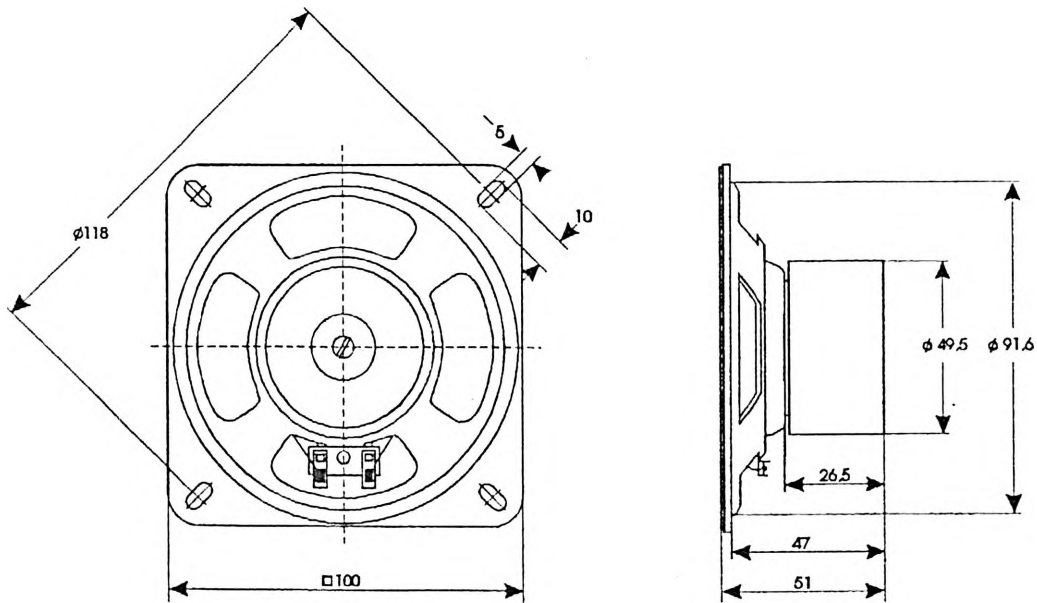
9 5111 041

## TECHNICAL DATA

Rated impedance	8 $\Omega$
Voice coil resistance	7 $\Omega$
Rated frequency range	80 to 7000 Hz
Resonance frequency	180 Hz
Power handling capacity / loudspeaker unmounted, 100h continuous/	2 W
Max. power	4 W
Sensitivity	88 dB
Flux density	0,72 T
Energy in air gap	35,12 mJ
Air - gap	14/4/0,91 mm
Voice coil height	5,8 mm
Magnet	
- material	ferrite
- dimensions	2 x 39/22,5/9 mm
- mass	2 x 0,036 kg
Mass of loudspeaker	0,28 kg

## AVAILABLE VERSIONS

- GD 10/4 - 8 $\Omega$ , catalogue number 9 5111 041 02



FREQUENCY RESPONSE CURVE

Measured in anechoic room at 1W/1m. Loudspeaker mounted on IEC baffle.