

FULL RANGE LOUDSPEAKER GD 16/25

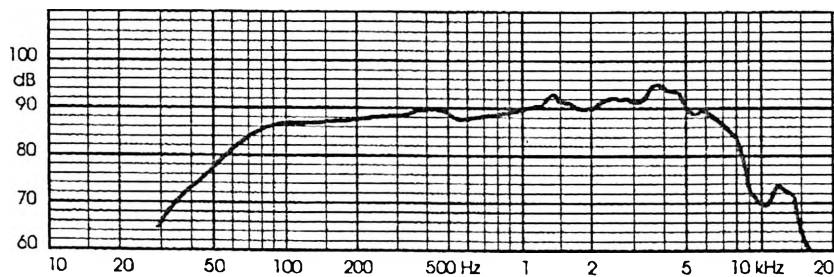
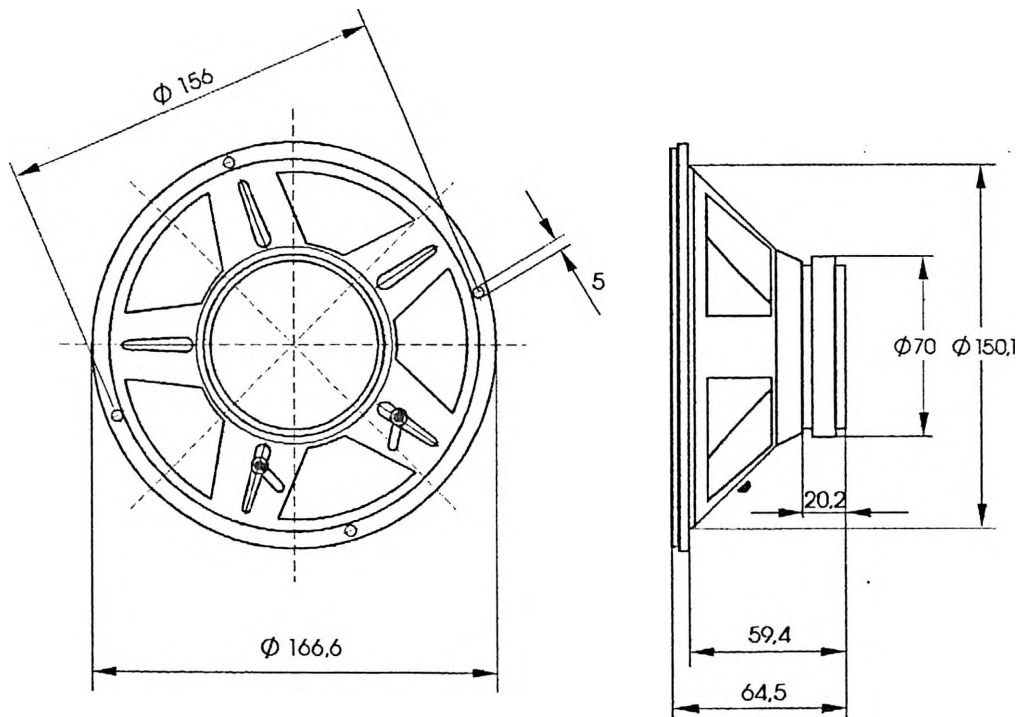
9 5157 005

TECHNICAL DATA

Rated impedance	4	8	Ω
Voice coil resistance	3,2	6,8	Ω
Rated frequency range	85 to 8000 kHz		
Resonance frequency	65 kHz		
Power handling capacity, in sealed 9 dm ³ enclosure	25 W		
Max power	35 W		
Sensitivity	91 dB		
Flux density	0,75 T		
Energy in air gap	109,5 mJ		
Air-gap	25/6/1 mm		
Voice coil height	6,5	10,3	mm
Magnet			
- material	ferrite		
- dimensions	70/32/10 mm		
- mass	0,15 kg		
Mass of loudspeaker	0,6 kg		

AVAILABLE VERSIONS

- GD 16/25 - 8 Ω, catalogue number 9 5157 005 01
- GD 16/25 - 4 Ω, catalogue number 9 5157 005 05



FREQUENCY RESPONSE CURVE

Measured in anechoic room at 1W, 1,0 m, Loudspeaker mounted in sealed 9 dm³ enclosure.