

WOOFER GD 30/80

9 5157 039

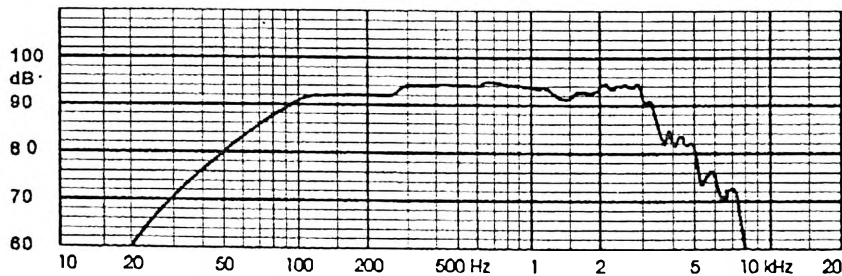
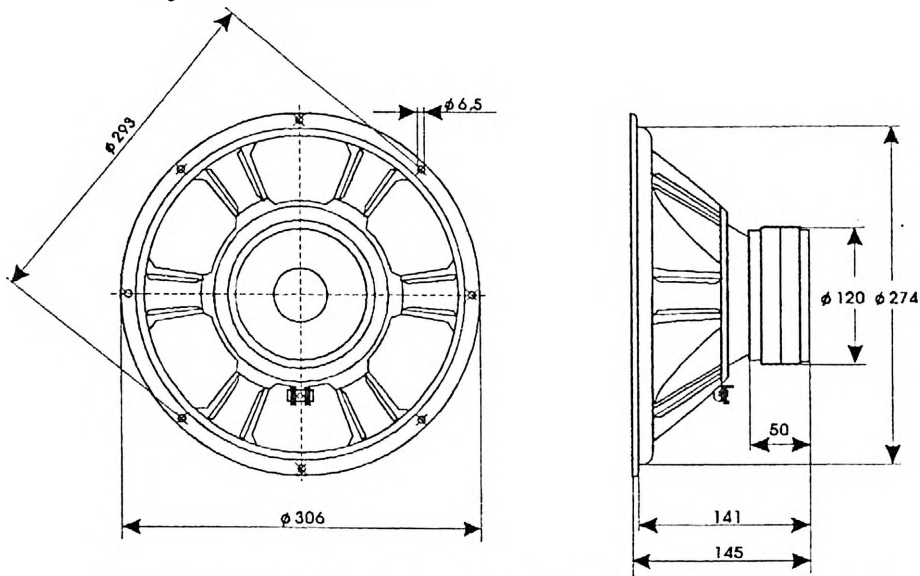
TECHNICAL DATA

Rated impedance	4	Ω
Voice coil resistance	3,2	Ω
Rated frequency range	70 to 3000	Hz
Resonance frequency	70	Hz
Power handling capacity / loudspeaker unmounted , 100 h continuous /	80	W
Max. power	140	W
Sensitivity	92	dB
Flux density	0,77	T
Energy in air gap	480	mJ
Force factor - Bl	9,7	Tm
Piston area - S _p	0,048	m ²
Total moving mass - M _{MS}	0,042	kg
Compliance /loudspeaker unmounted/ - C _{MS}	12,3x10 ⁻⁵	m/N
Equivalent box volume - V _{AS}	0,039	m ³
Quality factor /loudspeaker unmounted/		
- mechanical - Q _{MS}	5,1	
- electrical - Q _{ES}	0,57	
- total - Q _{TS}	0,51	
Air - gap	48/6/2,175	mm
Voice coil height	9,6	mm
Magnet		
- material	ferrite	
- dimensions	2x120/60/18	mm
- mass	1,52	kg
Mass of loudspeaker	3,9	kg

Connection is by 5,4 mm x 0,8 mm tag connectors or by soldering.

AVAILABLE VERSIONS

- GD 30/80 - 4 Ω , catalogue number 9 5157 039 05



Measured in anechoic room at 1W/1m. Loudspeaker mounted in sealed 70 dm³ enclosure.