

WOOFER GDN 13/50/9

9 5151 272

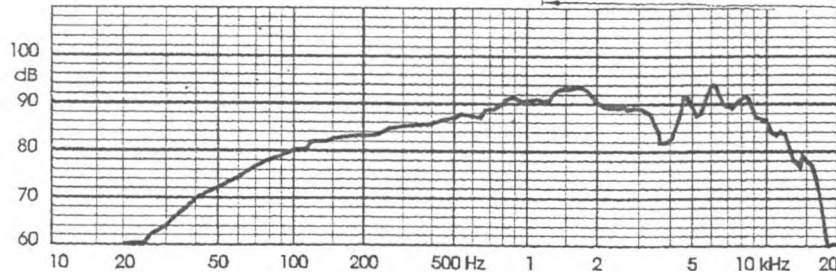
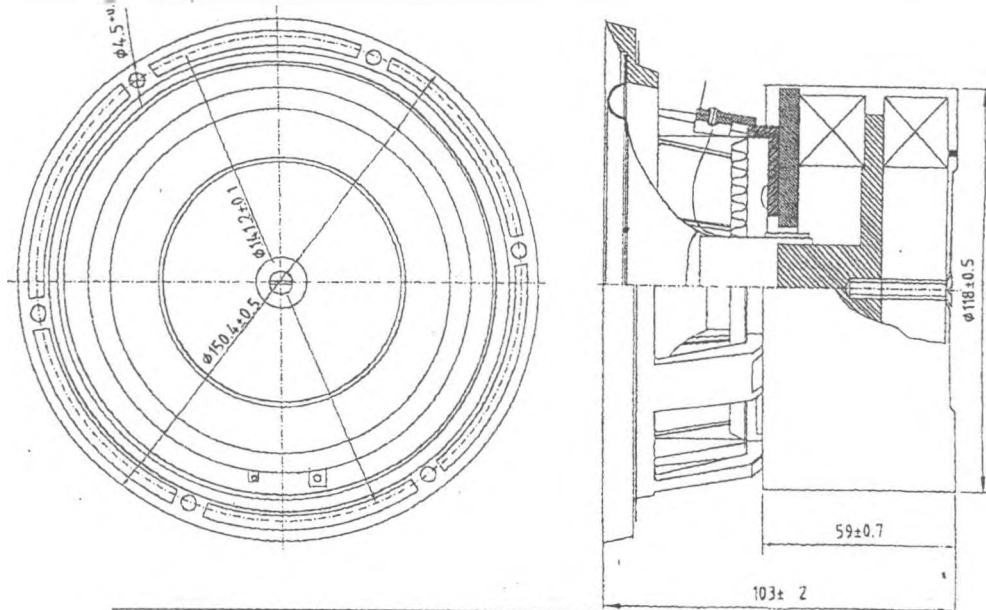
TECHNICAL DATA

Rated impedance	12	Ω
Voice coil resistance	11.2	Ω
Rated frequency range	150 to 10000	Hz
Resonance frequency	46	Hz
Power handling capacity		
/ enclosure 9 dm ³ , 100 h, continuous /	40	W
Max. power	60	W
Sensitivity	88	dB
Flux density	1.1	T
Energy in air gap	190	mJ
Force factor - Bl	8.3	Tm
Piston area - S _D	87 x 10 ⁻⁴	m ²
Total moving mass - M _{MS}	0,01	kg
Compliance /loudspeaker unmounted/ - C _{MS}	800 X 10 ⁻⁶	m/N
Equivalent box volume - V _{AS}	0,008	m ³
Quality factor /loudspeaker unmounted/		
- mechanical - Q _{MS}	5.5	
- electrical - Q _{ES}	0,53	
- total - Q _{TS}	0,48	
Air - gap	25/6/1,125	mm
Voice coil height	13.4	mm
Magnet		
- material	ferrite	
- dimensions	110/60/18	mm
- mass	0,6	kg
Mass of loudspeaker	2,75	kg

The loudspeaker has a glass fibre cone, a rubber surround, a capton voice coil former and a screened magnet system.

AVAILABLE VERSIONS

- GDN 13/50/9 - 12Ω, catalogue number 9 5151 272 02



FREQUENCY RESPONSE CURVE
Measured in anechoic room at 1W/1m. Loudspeaker mounted
in sealed 9 dm³ enclosure.