

WOOFER GDN 16/40/4

9 5151 157

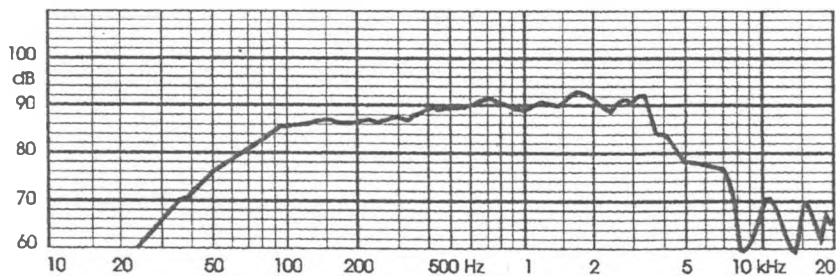
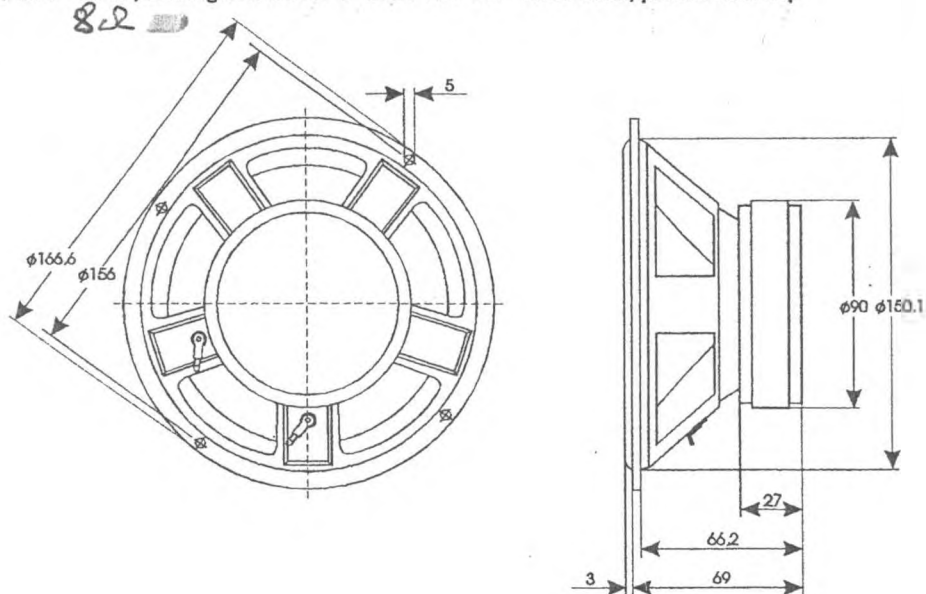
TECHNICAL DATA

Rated impedance	15	Ω
Voice coil resistance	13	Ω
Rated frequency range	80 to 4000	Hz
Resonance frequency	50	Hz
Power handling capacity / enclosure 9 dm ³ , 100 h continuous /	40	W
Max. power	80	W
Sensitivity	89	dB
Flux density	0,85	T
Energy in air gap	212	mJ
Force factor - Bl	8,55	Tm
Piston area - S _p	0,0141	m ²
Total moving mass - M _{MS}	0,0117	kg
Compliance /loudspeaker unmounted/ - C _{MS}	1 x 10 ⁻³	m/N
Equivalent box volume - V _{AS}	0,028	m ³
Quality factor /loudspeaker unmounted/		
- mechanical - Q _{MS}	4,33	
- electrical - Q _{ES}	0,61	
- total - Q _{TS}	0,535	
Air - gap	25/8/1,125	mm
Voice coil height	14	mm
Magnet		
- material	ferrite	
- dimensions	90/45/13	mm
- mass	0,31	kg
Mass of loudspeaker	1,15	kg

The loudspeaker has a polypropylene cone and a rubber surround

AVAILABLE VERSIONS

- GDN 16/40/4 - 15 Ω , catalogue number 9 5151 157 01 - black cone, textile dust cap
- GDN 16/40/4 - 15 Ω , catalogue number 9 5151 157 02 - black cone, plastic dust cap



FREQUENCY RESPONSE CURVE

Measured in anechoic room at 1W/1m. Loudspeaker mounted in sealed 9 dm³ enclosure.