

WOOFER GDN 18/50/1

9 5151 252

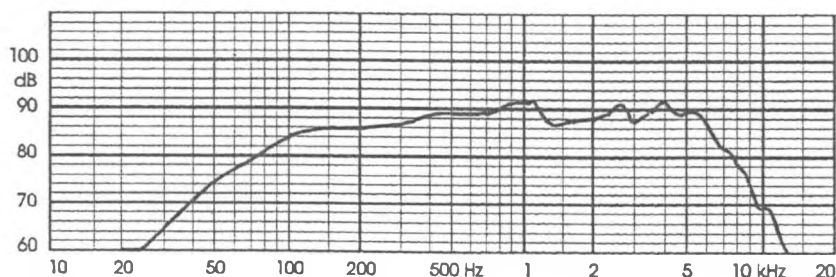
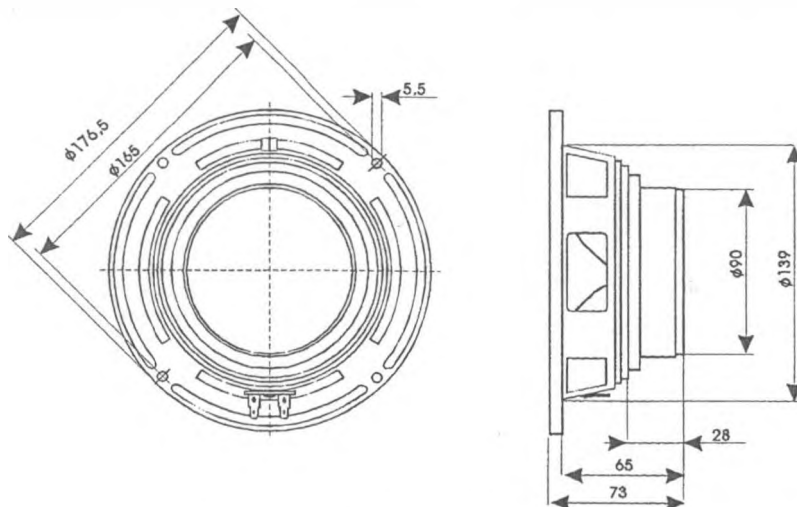
TECHNICAL DATA

Rated impedance	8	Ω
Voice coil resistance	6,5	Ω
Rated frequency range	80 to 5000	Hz
Resonance frequency	58	Hz
Power handling capacity /vented enclosure 12 dm ³ , 100 h, continuous /	40	W
Max. power	80	W
Sensitivity	88	dB
Flux density	0,98	T
Energy in air gap	220	mJ
Force factor - Bl	6,5	Tm
Piston area - Sp	113 x 10 ⁻⁴	m ²
Total moving mass - M _{MS}	10,8 x 10 ⁻³	kg
Compliance /loudspeaker unmounted/ - C _{MS}	6,75 x 10 ⁻⁴	m/N
Equivalent box volume - V _{AS}	12,12 x 10 ⁻³	m ³
Quality factor /loudspeaker unmounted/		
- mechanical - Q _{MS}	7,44	
- electrical - Q _{ES}	0,60	
- total - Q _{TS}	0,56	
Air - gap	25/6/1,125	mm
Voice coil height	12,5	mm
Magnet		
- material	ferrite	
- dimensions	90/45/15,5	mm
- mass	0,35	kg
Mass of loudspeaker	1,35	kg

The loudspeaker has a paper cone, a foam surround and a capton coil former.
Connection is by 4,8 mm x 0,5 mm tag connectors or by soldering.

AVAILABLE VERSIONS

- GDN 18/50/1 - 8Ω, catalogue number 9 5151 252 02 - diaphragm covered with black matt paint



FREQUENCY RESPONSE CURVE

Measured in anechoic room at 1W/1m. Loudspeaker mounted in sealed 9 dm³ enclosure.