

# WOOFER GDN 16/50/15

9 5151 261

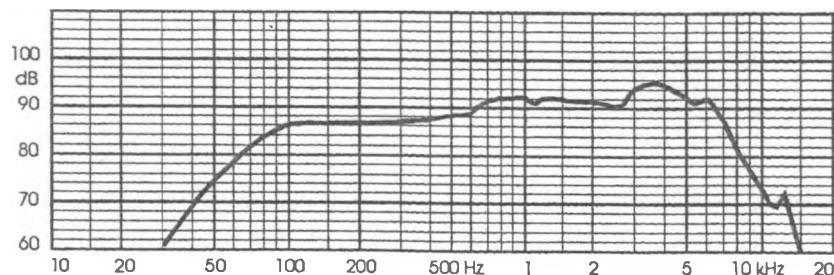
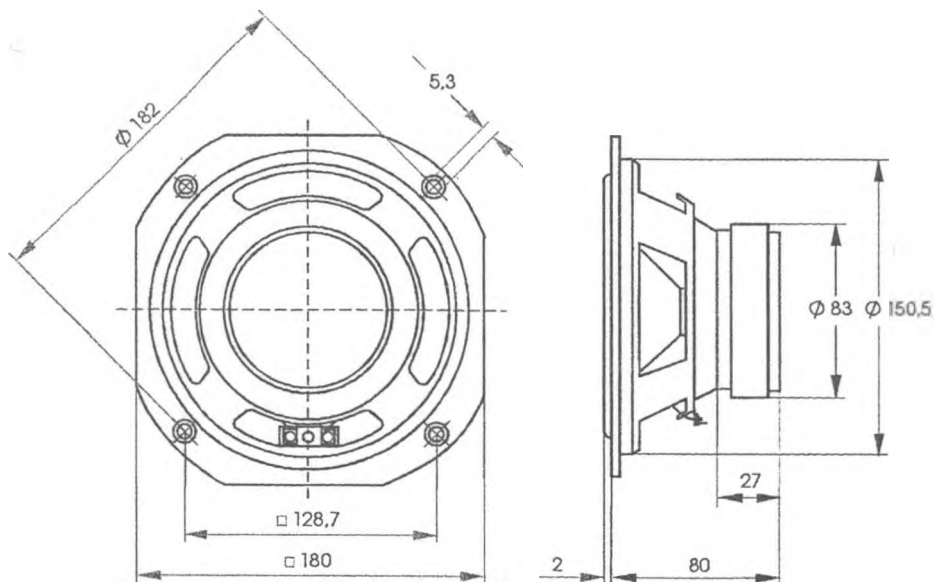
## TECHNICAL DATA

Rated impedance	4 $\Omega$
Voice coil resistance	3,45 $\Omega$
Rated frequency range	100 to 6000 Hz
Resonance frequency	48 Hz
Power handling capacity / vented 12 dm <sup>3</sup> enclosure, 1 min. on/2 min. off ,300 h /	50 W
Max power	100 W
Sensitivity	90 dB
Flux density	0,91 T
Energy in air gap	195 mJ
Force factor - Bl	4,8 Tm
Piston area - S <sub>D</sub>	14,6 x 10 <sup>-3</sup> m <sup>2</sup>
Total moving mass - M <sub>MS</sub>	11 x 10 <sup>-3</sup> kg
Compliance /loudspeaker unmounted/ - C <sub>MS</sub>	10,5 x 10 <sup>-4</sup> m/N
Equivalent box volume - V <sub>AS</sub>	32 x 10 <sup>-3</sup> m <sup>3</sup>
Quality factor /loudspeaker unmounted/ - mechanical - Q <sub>MS</sub>	4,48
- electrical - Q <sub>ES</sub>	0,49
- total - Q <sub>TS</sub>	0,44
Air - gap	25/6/1,2 mm
Voice coil height	9,3 mm
Magnet	
- material	ferrite
- dimensions	83/31/15 mm
- mass	0,35 kg
Mass of loudspeaker	1,1 kg

The loudspeaker has a paper cone and a rubber surround.  
Diaphragm covered with damping - sealing material.

## AVAILABLE VERSIONS

- GDN 16/50/15 - 4 $\Omega$ , catalogue number 9 5151 261 01



### FREQUENCY RESPONSE CURVE

Measured in anechoic room at 1W, 1m, Loudspeaker mounted  
in vented 12 dm<sup>3</sup> enclosure.