

WOOFER GDN 20/35/1

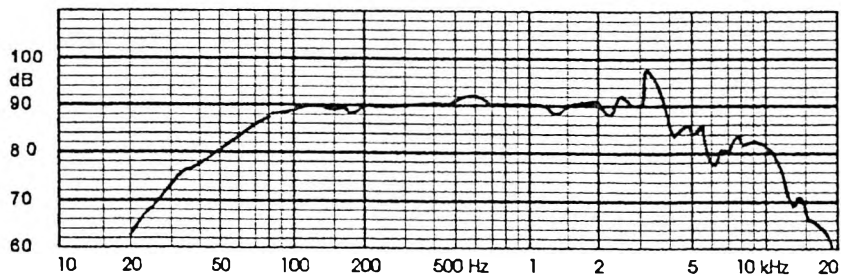
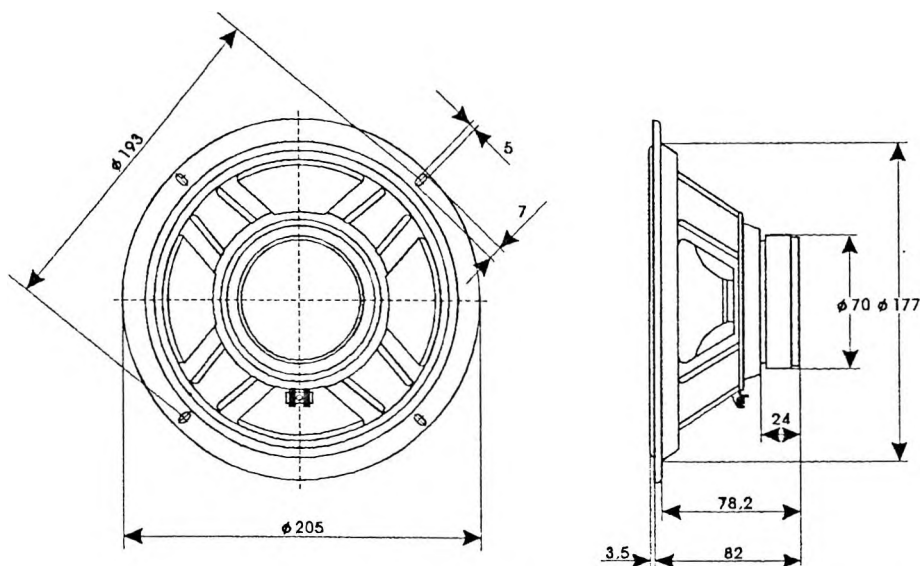
9 5151 035

TECHNICAL DATA

Rated impedance	8	Ω
Voice coil resistance	7,3	Ω
Rated frequency range	80 to 3500	Hz
Resonance frequency	50	Hz
Power handling capacity / enclosure 36 dm ³ , 100 h continuous /	35	W
Max. power	60	W
Sensitivity	90	dB
Flux density	0,67	T
Energy in air gap	98,8	mJ
Force factor - BI	6,2	Tm
Piston area - S _D	0,021	m ²
Total moving mass - M _{MS}	0,015	kg
Compliance /loudspeaker unmounted/ - C _{MS}	69x10 ⁻⁵	m/N
Equivalent box volume - V _{AS}	0,043	m ³
Quality factor /loudspeaker unmounted/		
- mechanical - Q _{MS}	4,01	
- electrical - Q _{ES}	0,94	
- total - Q _{TS}	0,76	
Air - gap	25/4,6/1,45	mm
Voice coil height	7,4	mm
Magnet		
- material	ferite	
- dimensions	70/32/15	mm
- mass	0,23	kg
Mass of loudspeaker	0,8	kg

AVAILABLE VERSIONS

- GDN 20/35/1 - 8 Ω , catalogue number 9 5151 035 01



FREQUENCY RESPONSE CURVE
Measured in anechoic room at 1W/1m. Loudspeaker mounted
in sealed 36 dm³ enclosure.