

# WOOFER GDN 20/40 /10

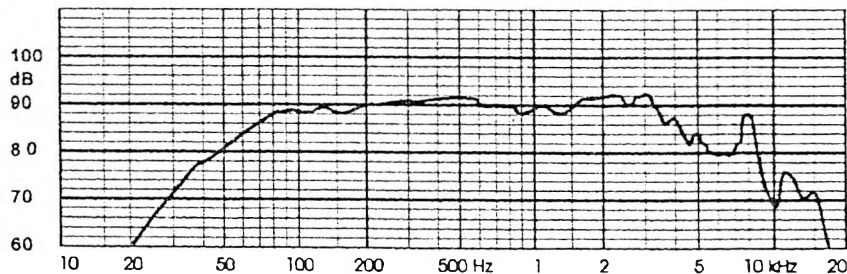
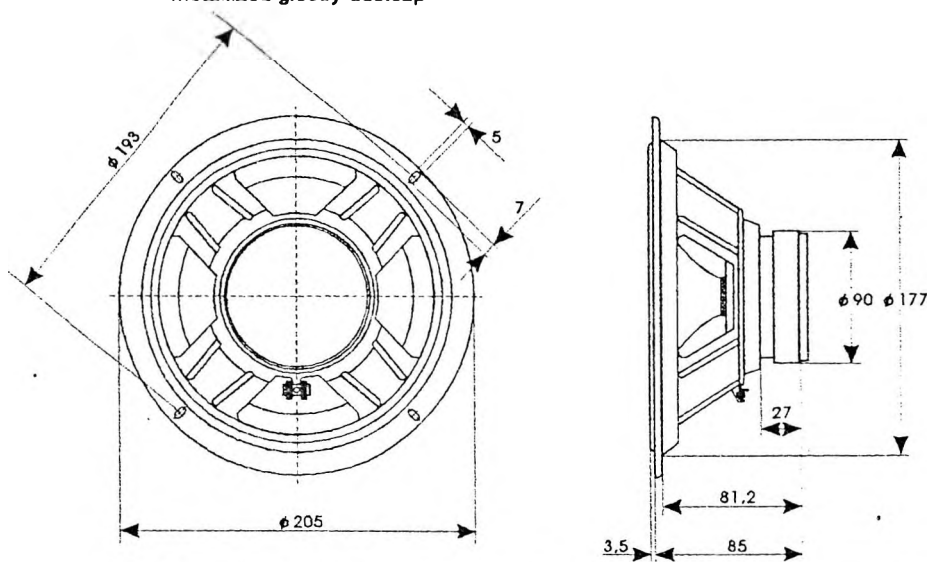
9 5151 002

## TECHNICAL DATA

Rated impedance	4	8	$\Omega$
Voice coil resistance	3,2	6,8	$\Omega$
Rated frequency range	45 to 3500		Hz
Resonance frequency	45		Hz
Power handling capacity			
/ enclosure 38 dm <sup>3</sup> , 100 h continuous /			
Max. power	40		W
Sensitivity	60		W
Flux density	90		dB
Energy in air gap	0,65		T
Force factor - Bl	188,4		mJ
Piston area - S <sub>D</sub>	4,95	6,1	Tm
Total moving mass - M <sub>MS</sub>	0,021		m <sup>2</sup>
Compliance /loudspeaker unmounted/ - C <sub>MS</sub>	0,015		kg
Equivalent box volume - V <sub>AS</sub>	84x10 <sup>-5</sup>		m <sup>3</sup> /N
Quality factor /loudspeaker unmounted/	0,056		m <sup>3</sup>
- mechanical - Q <sub>MS</sub>	5,45	6,32	
- electrical - Q <sub>ES</sub>	0,62	0,9	
- total - Q <sub>TS</sub>	0,56	0,79	
Air - gap	25/8/1,675		mm
Voice coil height	7	9,6	mm
Magnet			
- material	ferrite		
- dimensions	90/45/13		mm
- mass	0,31		kg
Mass of loudspeaker	1,2		kg

## AVAILABLE VERSIONS

- GDN 20/40 - 4 $\Omega$ , catalogue number 9 5151 002 05
- GDN 20/40 - 8 $\Omega$ , catalogue number 9 5151 002 01
- GDN 20/40/10 - 8 $\Omega$ , catalogue number 9 5151 038 01 -  
- metallized glossy dustcap



FREQUENCY RESPONSE CURVE  
Measured in anechoic room at 1W/1m. Loudspeaker mounted  
in sealed 36 dm<sup>3</sup> enclosure.