

# WOOFER GDN 20/60/33

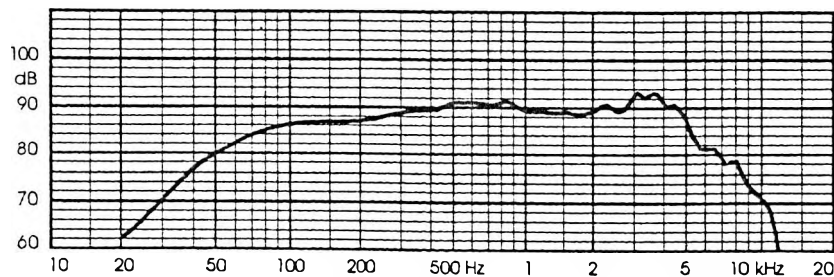
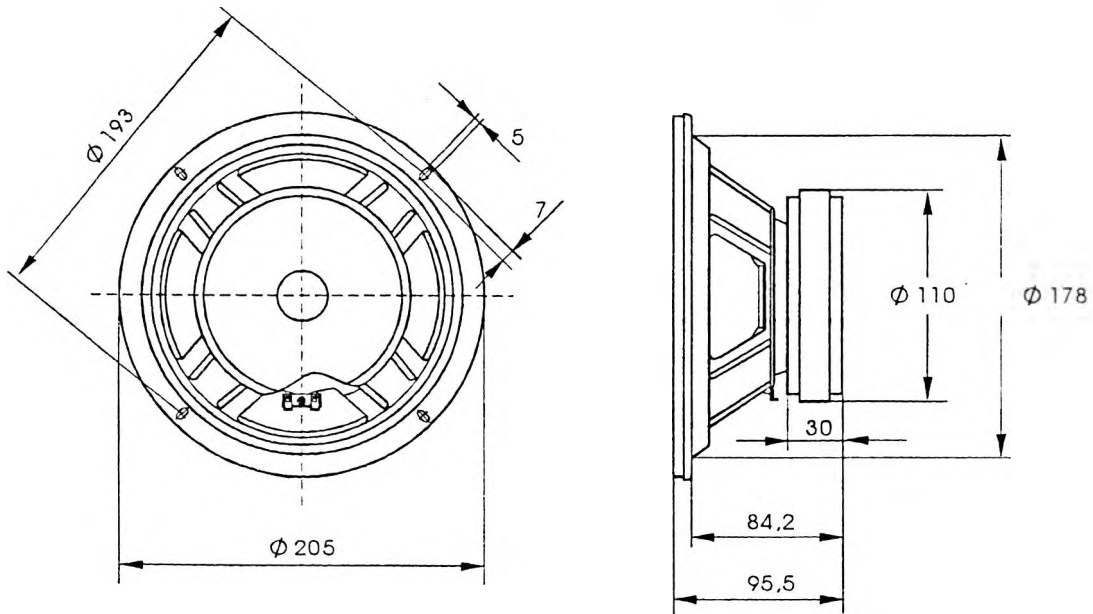
9 5151 187

## TECHNICAL DATA

Rated impedance	8	$\Omega$
Voice coil resistance	6,7	$\Omega$
Rated frequency range	60 to 4500	Hz
Resonance frequency	44	Hz
Power handling capacity / enclosure 24 dm <sup>3</sup> , 100 h continuous /	60	W
Max power	120	W
Sensitivity	90	dB
Flux density	0,97	T
Energy in air gap	340	mJ
Force factor - Bl	8,4	Tm
Piston area - S <sub>D</sub>	0,022	m <sup>2</sup>
Total moving mass - M <sub>MS</sub>	0,023	kg
Compliance /loudspeaker unmounted/ - C <sub>MS</sub>	0,5 x 10 <sup>-3</sup>	m/N
Equivalent box volume - V <sub>AS</sub>	0,0288	m <sup>3</sup>
Quality factor /loudspeaker unmounted/		
- mechanical - Q <sub>MS</sub>	2,8	
- electrical - Q <sub>ES</sub>	0,62	
- total - Q <sub>TS</sub>	0,51	
Air - gap	35/6/1,3	mm
Voice coil height	12,7	mm
Magnet		
- material	ferrite	
- dimensions	110/60/18	mm
- mass	0,60	kg
Mass of loudspeaker	1,95	kg

## AVAILABLE VERSIONS

- GDN 20/60/33 - 8 $\Omega$ , catalogue number 9 5151 187 09 - black cone, red surround



FREQUENCY RESPONSE CURVE

Measured in anechoic room at 1W, 1m, Loudspeaker mounted in sealed 24 dm<sup>3</sup> enclosure.