

# WOOFER GDN 25/55/2

9 5151 036

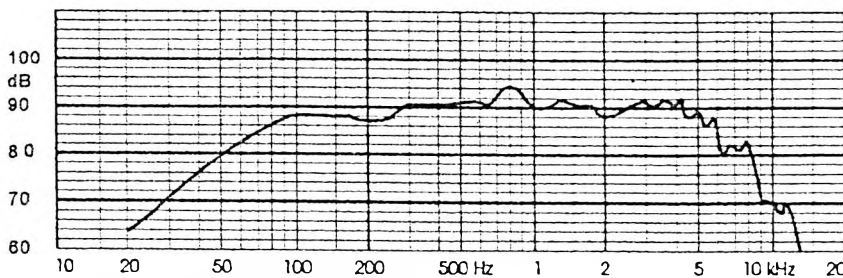
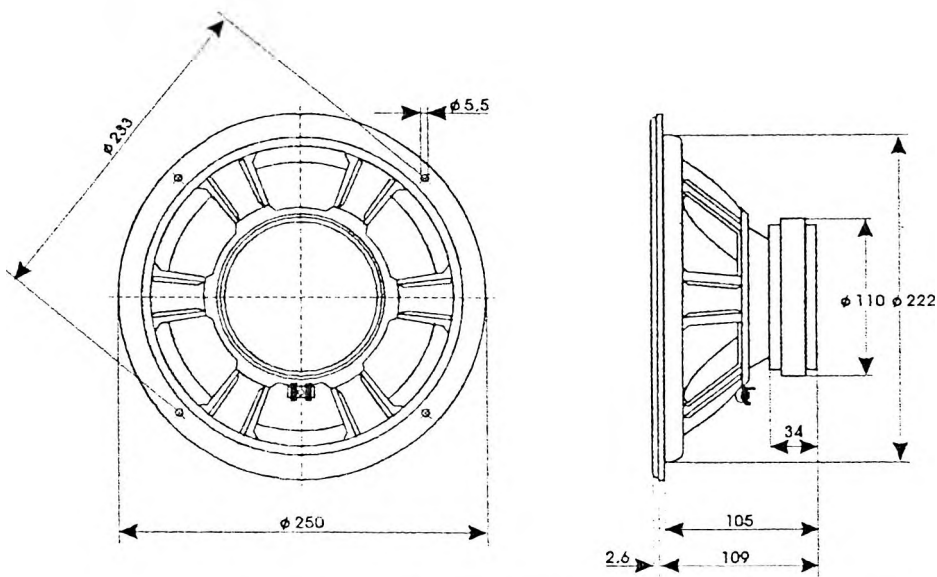
## TECHNICAL DATA

Rated impedance	8	$\Omega$
Voice coil resistance	6,7	$\Omega$
Rated frequency range	60 to 5000	Hz
Resonance frequency	37	Hz
Power handling capacity / enclosure 35 dm <sup>3</sup> , 100 h continuous /	55	W
Max. power	100	W
Sensitivity	91	dB
Flux density	0,8	T
Energy in air gap	267	mJ
Force factor - Bl.	7,5	Tm
Piston area - S <sub>D</sub>	0,032	m <sup>2</sup>
Total moving mass - M <sub>MS</sub>	0,028	kg
Compliance /loudspeaker unmounted/ - C <sub>MS</sub>	66,1x10 <sup>-5</sup>	m/N
Equivalent*box volume - V <sub>AS</sub>	0,094	m <sup>3</sup>
Quality factor /loudspeaker unmounted/		
- mechanical - Q <sub>MS</sub>	2,18	
- electrical - Q <sub>ES</sub>	0,68	
- total - Q <sub>TS</sub>	0,52	
Air - gap	48/8/1,5	mm
Voice coil height	13,5	mm
Magnet		
- material	ferite	
- dimensions	110/60/18	mm
- mass	0,6	kg
Mass of loudspeaker	2,6	kg

Connection is by 2,8 mm x 0,5 mm tag connectors or by soldering.

## AVAILABLE VERSIONS

- GDN 25/55/2 - 8 $\Omega$ , catalogue number 9 5151 036 01



FREQUENCY RESPONSE CURVE

Measured in anechoic room at 1W/1m. Loudspeaker mounted in sealed 35 dm<sup>3</sup> enclosure.