

WOOFER GDN 30/60/11

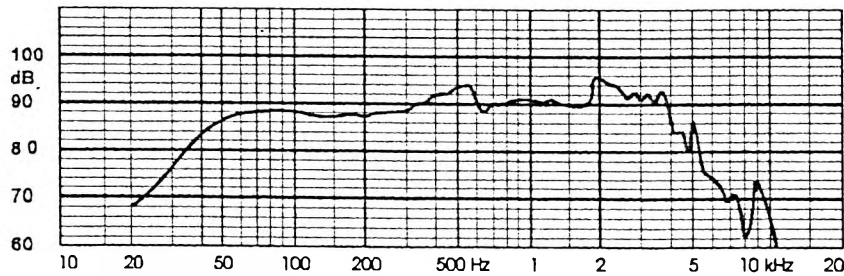
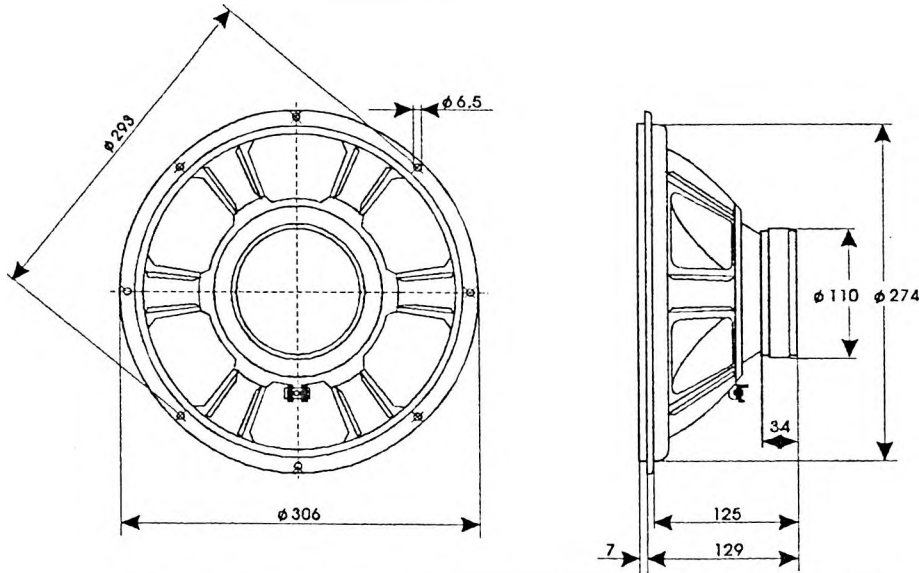
9 5151 037

TECHNICAL DATA

Rated impedance	8	Ω
Voice coil resistance	7	Ω
Rated frequency range	50 to 4000	Hz
Resonance frequency	23	Hz
Power handling capacity / enclosure 70 dm ³ , 100 h continuous /	60	W
Max. power	140	W
Sensitivity	90	dB
Flux density	0,6	T
Energy in air gap	267	mJ
Force factor - Bl	8	Tm
Piston area - S _D	0,049	m ²
Total moving mass - M _{MS}	0,041	kg
Compliance /loudspeaker unmounted/ - C _{MS}	11,7x10 ⁻⁴	m ³ /N
Equivalent box volume - V _{AS}	0,4	m ³
Quality factor /loudspeaker unmounted/		
- mechanical - Q _{MS}	2,12	
- electrical - Q _{ES}	0,66	
- total - Q _{TS}	0,50	
Air - gap	48/8/1,5	mm
Voice coil height	13,5	mm
Magnet		
- material	ferite	
- dimensions	110/60/18	mm
- mass	0,6	kg
Mass of loudspeaker	2,5	kg

AVAILABLE VERSIONS

- GDN 30/60/11 - 8 Ω catalogue number 9 5151 037 01



FREQUENCY RESPONSE CURVE
Measured in anechoic room at 1W/1m. Loudspeaker mounted
in sealed 70 dm³ enclosure.