

# WOOFER GDN 30/80/2 / 4

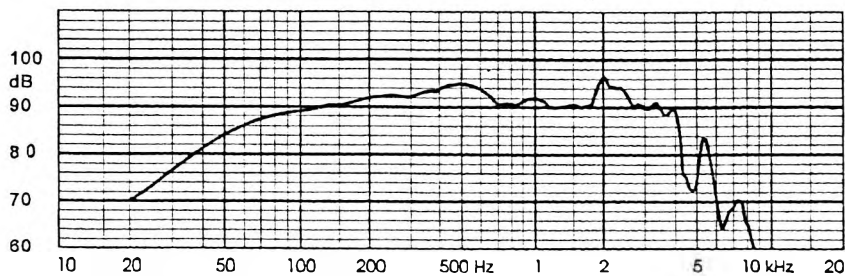
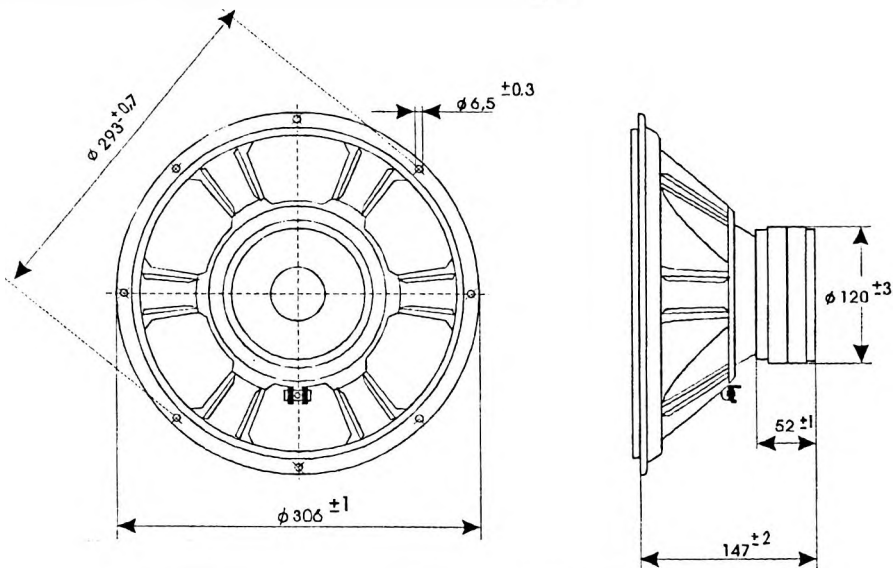
9 5151 016

## TECHNICAL DATA

Rated impedance	8	$\Omega$
Voice coil resistance	6,2	$\Omega$
Rated frequency range	40 to 3000	Hz
Resonance frequency	25	Hz
Power handling capacity / enclosure 70 dm <sup>3</sup> , 1 min. on/2 min. off, 100 h continuous /	80	W
Max. power	140	W
Sensitivity	92	dB
Flux density	0,7	T
Energy in air gap	388	mJ
Force factor - BI	13	Tm
Piston area - S <sub>D</sub>	0,05	m <sup>2</sup>
Total moving mass - M <sub>MS</sub>	0,05	kg
Compliance /loudspeaker unmounted/ - C <sub>MS</sub>	81,9x10 <sup>-5</sup>	m/N
Equivalent box volume - V <sub>AS</sub>	0,27	m <sup>3</sup>
Quality factor /loudspeaker unmounted/		
- mechanical - Q <sub>MS</sub>	2,47	
- electrical - Q <sub>ES</sub>	0,3	
- total - Q <sub>TS</sub>	0,26	
Air - gap	48/6/2	mm
Voice coil height	12,5	mm
Magnet		
- material	ferite	
- dimensions	2x120/60/18	mm
- mass	1,52	kg
Mass of loudspeaker	3,9	kg

## AVAILABLE VERSIONS

- GDN 30/80/2 - 8  $\Omega$ , catalogue number 9 5151 016 01
- GDN 30/80/4 - 8  $\Omega$ , catalogue number 9 5151 034 01



FREQUENCY RESPONSE CURVE  
Measured in anechoic room at 1W/1m. Loudspeaker mounted  
in sealed 70 dm<sup>3</sup> enclosure.