

# CONE TWEETER LOUDSPEAKER GDW 5/40/6 /9

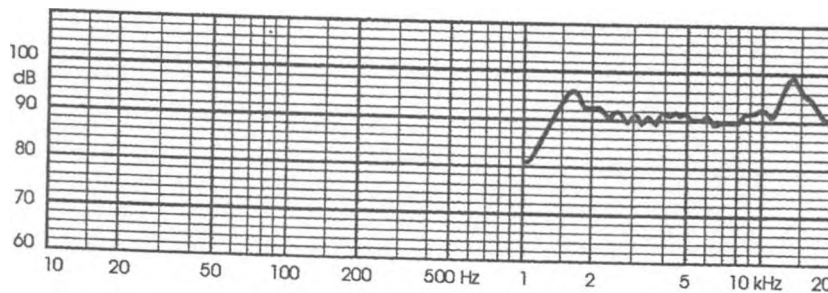
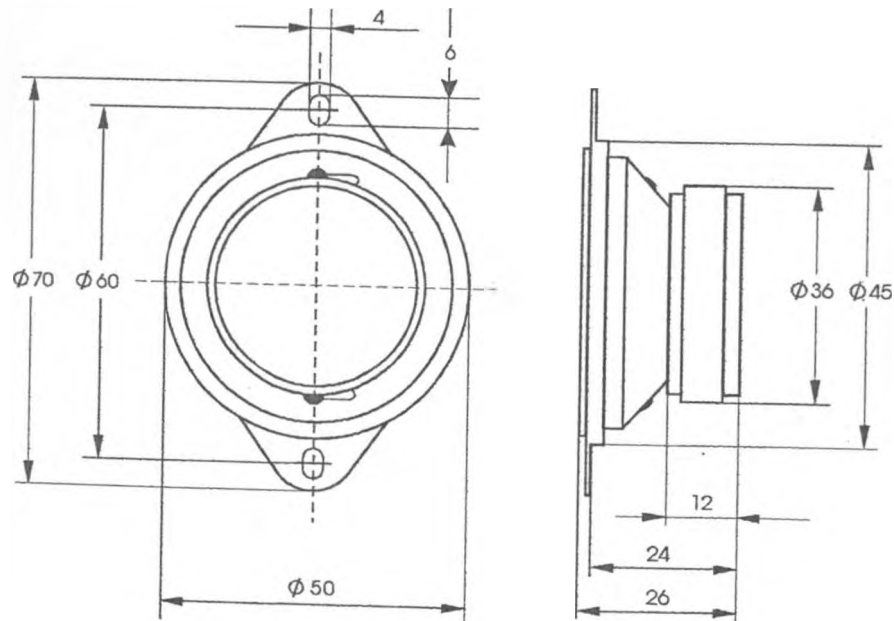
9 5155 025

## TECHNICAL DATA

Rated impedance	4	8	Ω
Voice coil resistance	3,6	6,7	Ω
Rated frequency range	3 to 20	-	kHz
Resonance frequency	-	6	kHz
Recommended crossover frequency	40/0,5		W
Power handling capacity, P1/P2, measured with filter,	80/1		W
Max power	90	89	dB
Sensitivity	0,77		T
Flux density	18,1		mJ
Energy in air gap	13/3/0,6		mm
Air-gap	2	1,8	mm
Voice coil height.			
Magnet			
- material	ferrite		
- dimensions	36/16/7		mm
- mass	0,03		kg
Mass of loudspeaker	0,09		kg

## AVAILABLE VERSIONS

- GDW 5/40/6 - 4Ω, catalogue number 9 5155 025 01
- GDW 5/42/6 - 8Ω, catalogue number 9 5155 025 05
- GDW 5/40/7 - 4Ω, catalogue number 9 5155 025 09
- GDW 5/40/7 - 8Ω, catalogue number 9 5155 025 13
- GDW 5/40/8 - 4Ω, catalogue number 9 5155 025 17
- GDW 5/40/8 - 8Ω, catalogue number 9 5155 025 21
- GDW 5/40/9 - 4Ω, catalogue number 9 5155 025 25
- GDW 5/40/9 - 8Ω, catalogue number 9 5155 025 29



FREQUENCY RESPONSE CURVE  
Measured in anechoic room at 1W, 1m. Loudspeaker mounted  
on IEC baffle.