

DOME TWEETER LOUDSPEAKER GDWK 10/80/26

9 5155 185

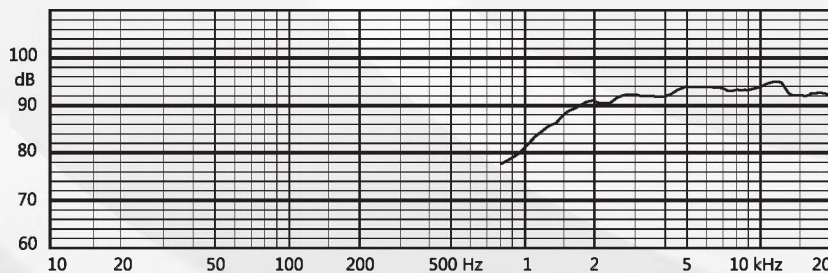
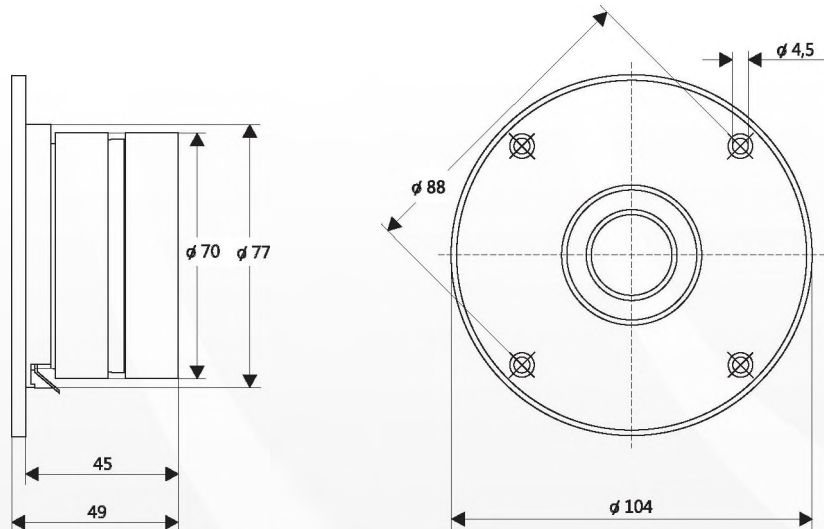
TECHNICAL DATA

Rated impedance	8	Ω
Voice coil resistance	6,3	Ω
Rated frequency range	4 to 25	kHz
Resonance frequency	-	kHz
Recommended crossover frequency	4,8	kHz
Power handling capacity, P1/P2 measured with filter	100/7	W
Max. power	160/10	W
Sensitivity	93	dB
Flux density	1,42	T
Energy in air gap	130	mJ
Air - gap	25/3/0,745	mm
Voice coil height	1,9	mm
Magnet		
- material	ferrite	
- dimensions	2x 70/32/15	mm
- mass	0,46	kg
Mass of loudspeaker	0,83	kg

The loudspeaker has flexible wire leads, an aluminium voice coil former and polyester cloth.

AVAILABLE VERSIONS

- GDWK 10/80/26 - 8Ω, catalogue number 9 5155 185 01



FREQUENCY RESPONSE CURVE

Measured in anechoic room at 1W/1m. Loudspeaker mounted on IEC baffle.