

DOME TWEETER LOUDSPEAKER GDWK 8-11/120

9 5155 095

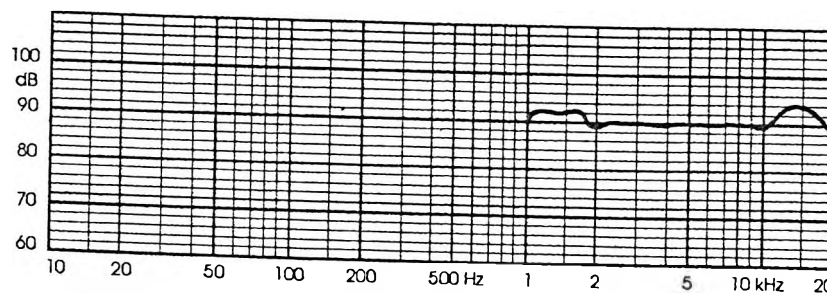
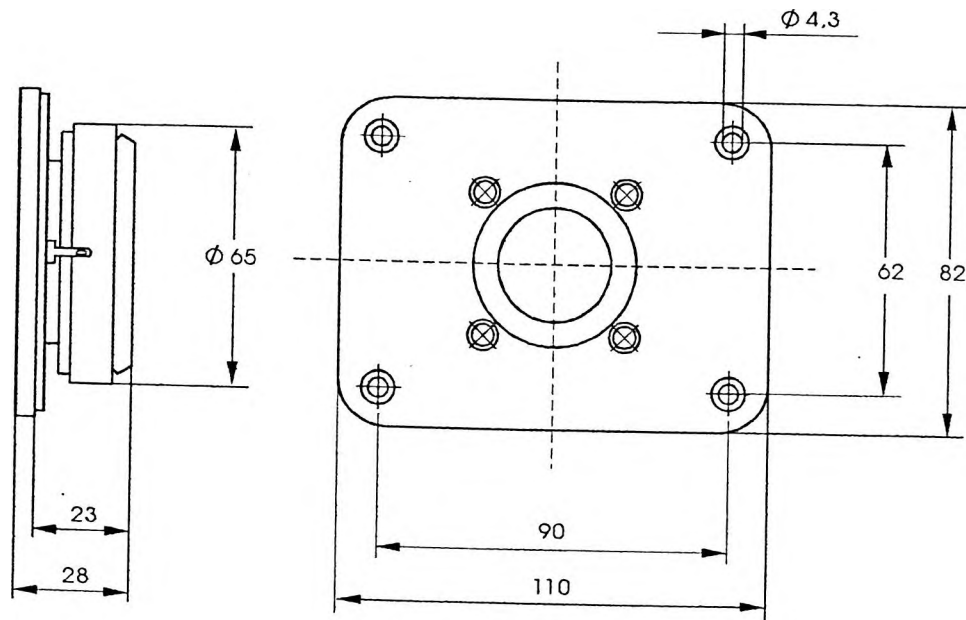
TECHNICAL DATA

Rated impedance	8 Ω
Voice coil resistance	6,3 Ω
Rated frequency range	2,0 to 20 kHz
Resonance frequency	1,2 kHz
Recommended crossover frequency	4,8 kHz
Power handling capacity, P1/P2, measured with filter,	120/5 W
Max power	160/10 W
Sensitivity	90 dB
Flux density	1,08 T
Energy in air gap	81,5 mJ
Air-gap	25/30,745 mm
Voice coil height.	1,9 mm
Magnet	
- material	ferrite
- dimensions	65/32/10 mm
- mass	0,12 kg
Mass of loudspeaker	0,45 kg

Membrane material - polyamide.

AVAILABLE VERSIONS

- GDWK 8-11/120 - 8 Ω , catalogue number 9 5155 095 01



FREQUENCY RESPONSE CURVE
Measured in anechoic room at 1W, 1m, Loudspeaker mounted
on IEC baffle.