

# DOME TWEETER LOUDSPEAKER GDWK 9/120

9 5155 052

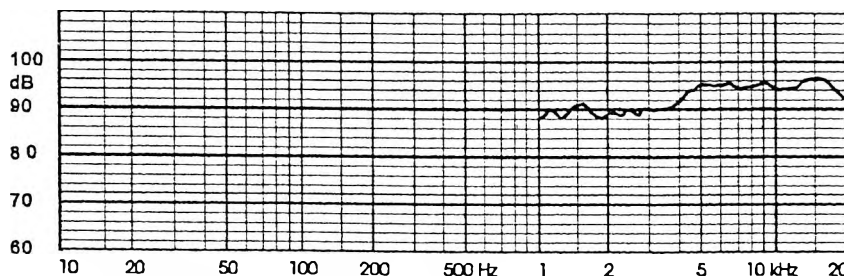
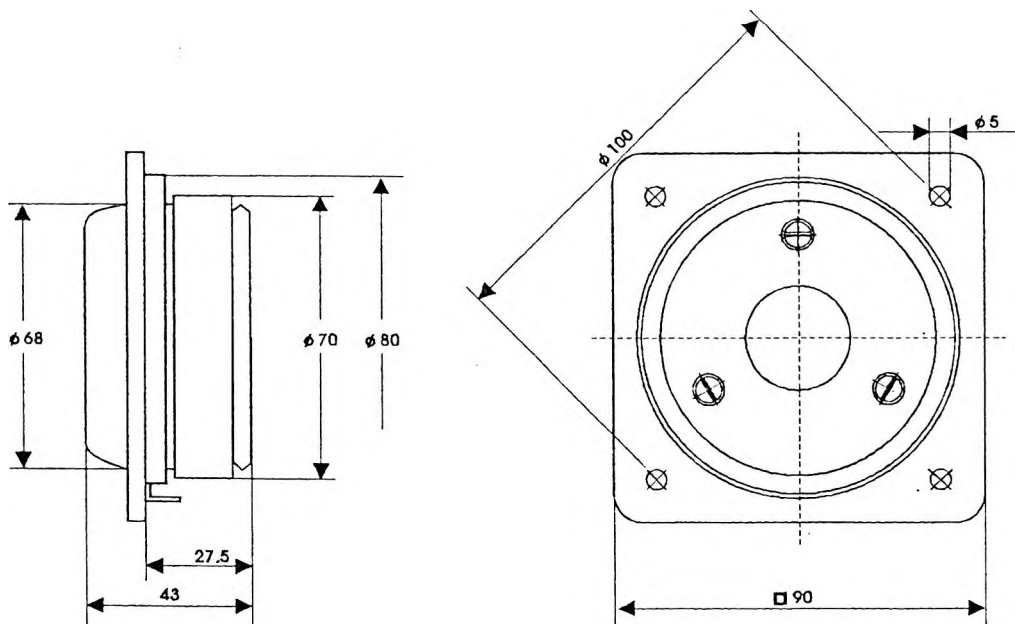
## TECHNICAL DATA

Rated impedance	8	Ω
Voice coil resistance	6,3	Ω
Rated frequency range	4,0 to 20	kHz
Resonance frequency	1,2	kHz
Recommended crossover frequency	4,8	kHz
Power handling capacity, P1/P2, measured with filter,	120/6	W
Max. power	160/10	W
Sensitivity	94	dB
Flux density	1,29	T
Energy in air gap	118,2	mJ
Air - gap	25/3/0,745	mm
Voice coil height	1,9	mm
Magnet		
- material	ferite	
- dimensions	70/32/15	mm
- mass	0,23	kg
Mass of loudspeaker	0,6	kg

Membrane material - laminated fabric..

## AVAILABLE VERSIONS

- GDWK 9/120 - 8Ω, catalogue number 9 5155 052 01



FREQUENCY RESPONSE CURVE  
Measured in anechoic room at 1W/1m. Loudspeaker mounted on IEC baffle.