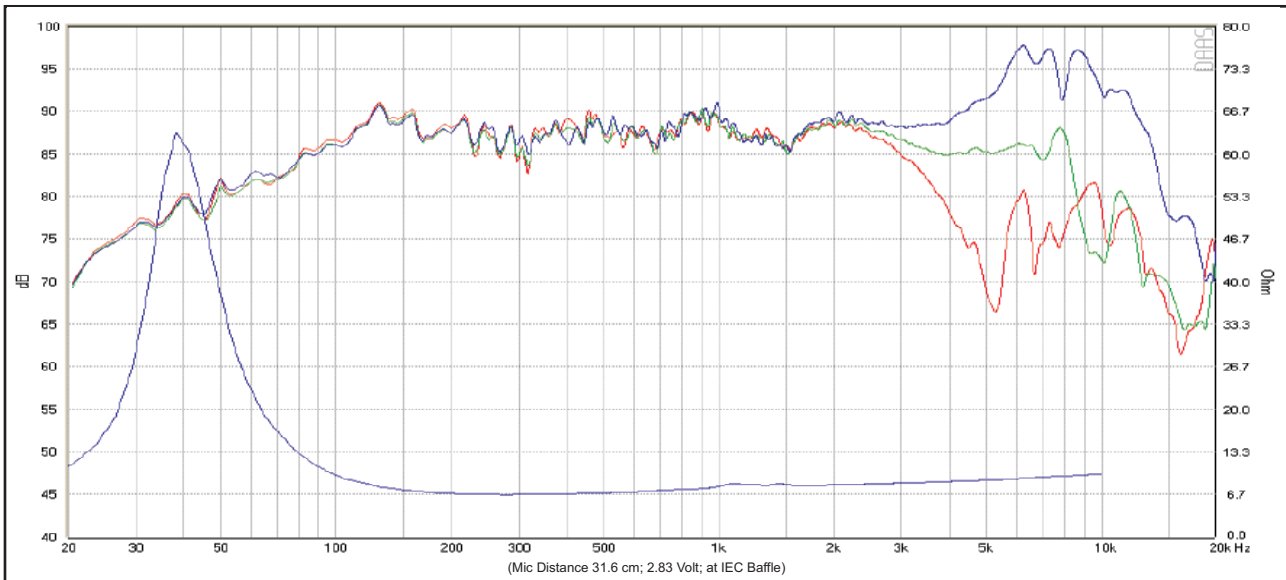
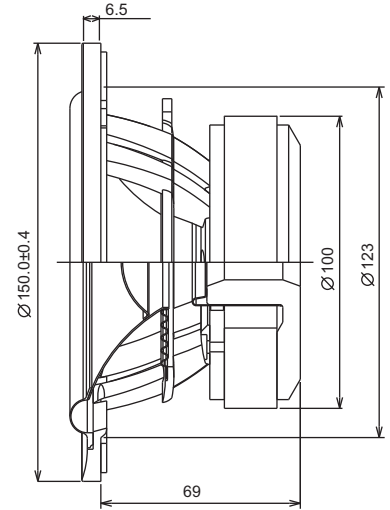
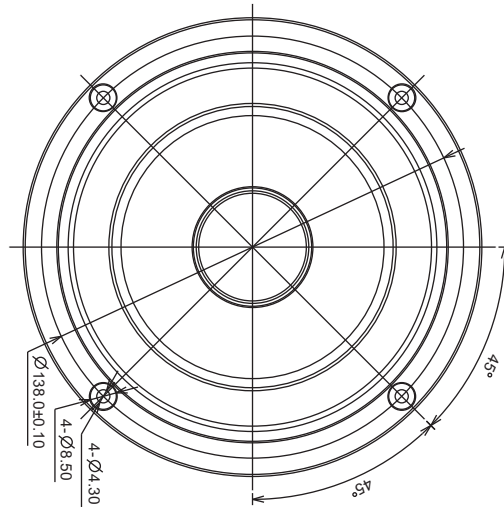


# ACOUSTICS

## 5" SB15NRXC30-8



Response Curve :

— (Blue) : on axis      — (Green) : 30 off-axis      — (Red) : 60 off-axis

### Specs :

Nominal Impedance	8 $\Omega$	Free air resonance, $F_s$	38 Hz
DC resistance, $R_e$	5.7 $\Omega$	Sensitivity (2.83 V/1m)	88 dB
Voice coil inductance, $L_e$	0.14 mH	Mechanical Q-factor, $Q_{ms}$	4.8
Effective piston area, $S_d$	82 cm <sup>2</sup>	Electrical Q-factor, $Q_{es}$	0.35
Voice coil diameter	30.5 mm	Total Q-factor, $Q_{ts}$	0.33
Voice coil height	15 mm	Moving mass incl.air, $m_d$	8.1 g
Air gap height	5 mm	Force factor, $Bl$	5.6 Tm
Linear coil travel (p-p)	10 mm	Equivalent volume, $V_{as}$	20.7 liters
Magnetic flux density	1.0 T	Compliance, $C_{ms}$	2.17 mm/N
Magnet weight	0.54 kg	Mechanical loss, $R_m$	0.4 kg/s
Net weight	1.48 kg	Rated power handling	50 watt

The parameter are measured on drive units that are broken in