

# LOUDSPEAKER SYSTEM EX-1S (EXCELLENCE)

9 6111 325 01

## TECHNICAL DATA

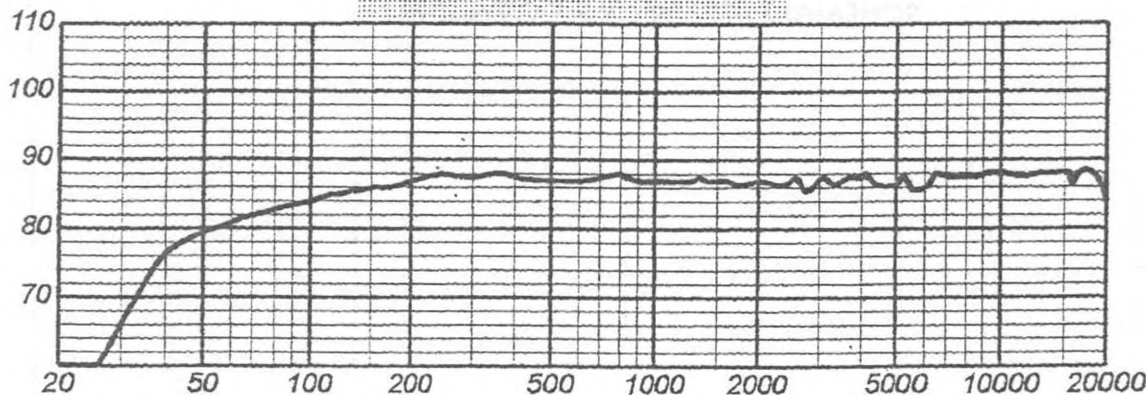
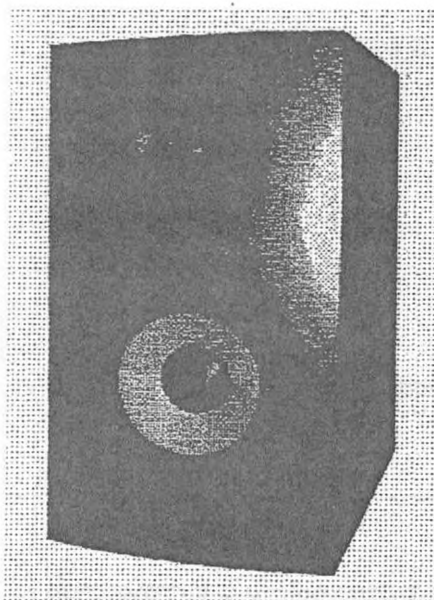
System type	bass-reflex
Rated impedance	6 $\Omega$
Rated frequency range	50 - 20000 Hz
Rated input power	60 W
Max. input power	100 W
Sensitivity	87 dB
Crossover frequencies	1,5 kHz
Loudspeakers:	

GDN 13/50 - 6  $\Omega$   
GDWK 10/80 - 8  $\Omega$

Dimensions  
Mass

185 x 320 x 274 mm  
7,5 kg

Finish: natural wood



FREQUENCY RESPONSE CURVE  
Measured in anechoic room at 1W, 1m, free field.

# LOUDSPEAKER SYSTEM EX-1S (EXCELLENCE)

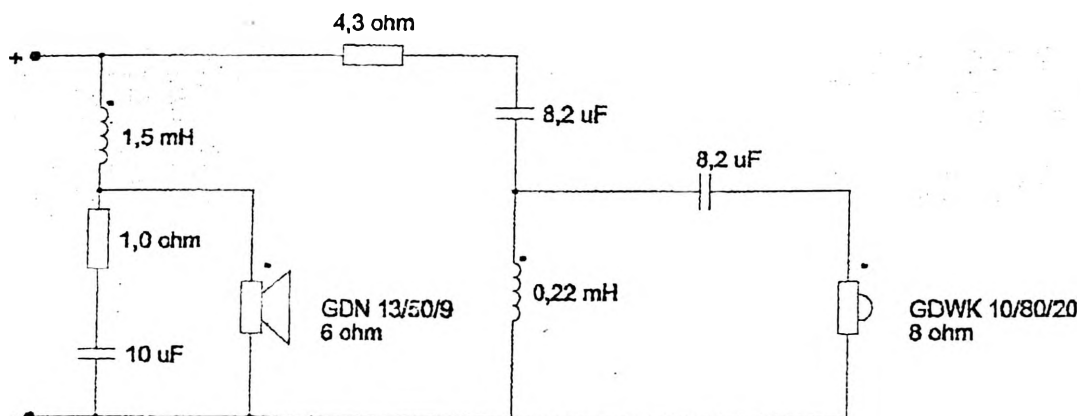
9 6111 325 01

## INDEKSY PODZESPOŁÓW SERWISOWYCH

GDN 13/50/9 - 6 ohm  
GDWK 10/80/20 - 8 ohm  
Zwrotnica elektryczna

9 5151 275 25  
8 4141 041 37 (membrana)  
9 5291 144 02

8 4171 343 01



SCHEMAT ZWROTNICY ELEKTRYCZNEJ