

LOUDSPEAKER SYSTEM

ZgB 200-8-559 (ALTUS 400)

9 6111 092 02

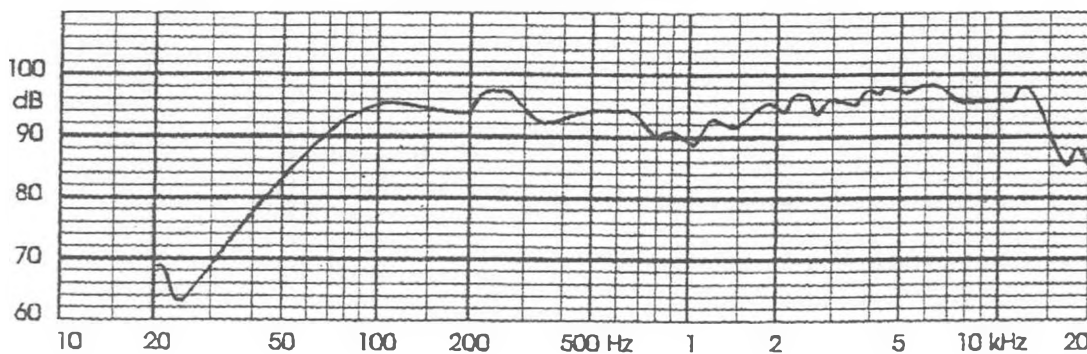
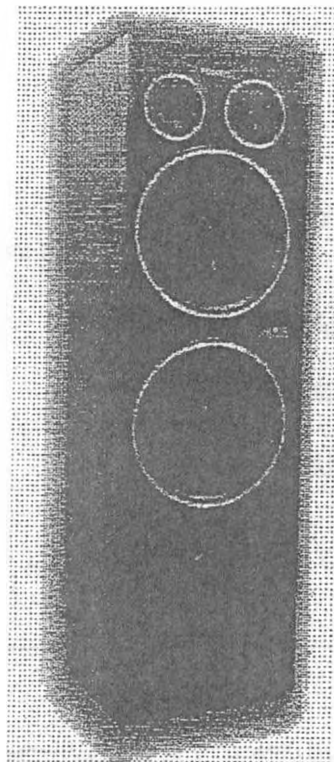
TECHNICAL DATA

System type	bass reflex
Rated impedance	8 Ω
Rated frequency range	32 - 20000 Hz
Rated input power	200 W
Max. input power	400 W
Sensitivity	93 dB
Crossover frequencies	1,5/4 kHz
Loudspeakers:	

Dimensions
Mass

2 x GDN 25/80 - 15 Ω
GDM 10/80 - 8 Ω
GDWT 9/80/5 F - 8 Ω
320 x 1100 x 280 mm
25 kg

Finish: PVC



FREQUENCY RESPONSE CURVE
Measured in anechoic room at 1W, 1m, free field.

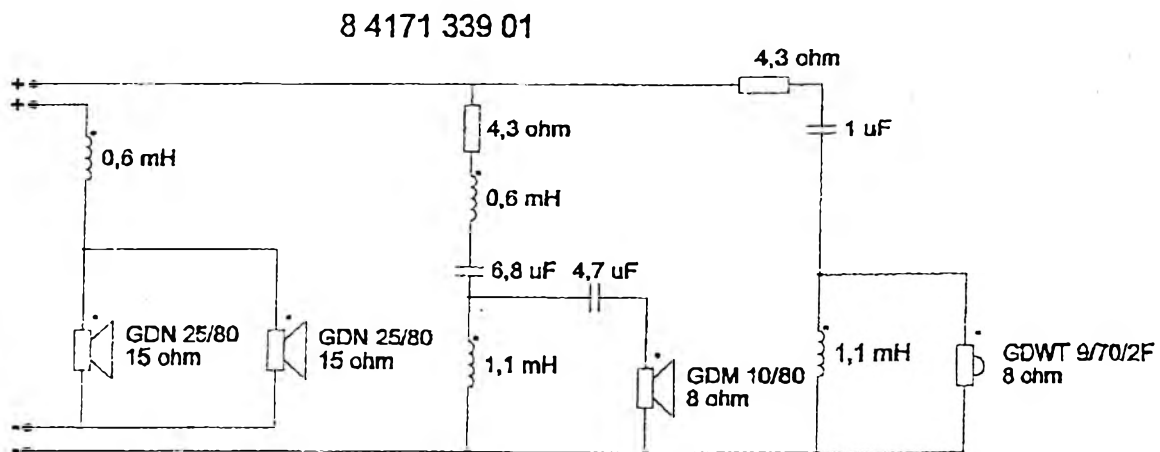
LOUDSPEAKER SYSTEM ZgB 200-8-559 (ALTUS 400)

9 6111 092 02

INDEKSY PODZESPOŁÓW SERWISOWYCH

GDN 25/80 - 15 ohm
GDM 10/80 - 8 ohm
GDWT 9/70/2F - 8 ohm
Zwrotnica elektryczna

9 5151 275 01
9 5153 090 04
8 4141 041 36 (membrana)
9 5291 144 05



SCHEMAT ZWROTNICY ELEKTRYCZNEJ