

LOUDSPEAKER SYSTEM

ZgS-20-4-577

9 6153 025

TECHNICAL DATA

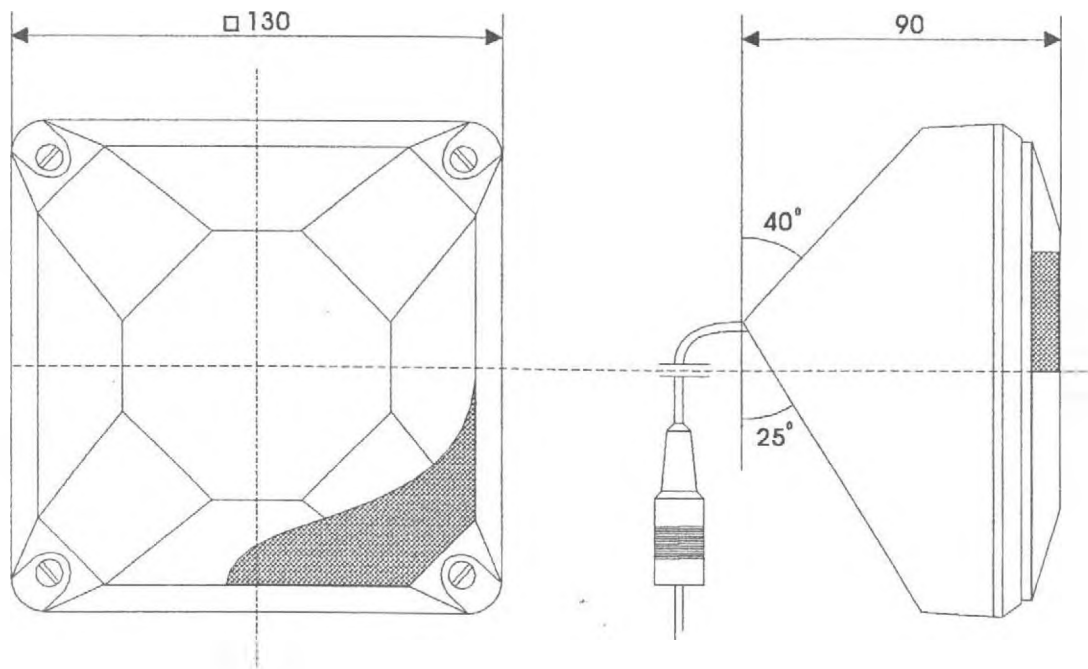
System type	open
Rated impedance	4 Ω
Rated frequency range	60 - 20000 Hz
Rated input power	20 W
Max. input power	40 W
Sensitivity	86 dB
Loudspeakers:	

GD 10/18/1 - 4 Ω
0,55 kg

Mass

AVAILABLE VERSIONS

- ZgS-20-4-577, catalogue number 9 6153 025 01



ZgS-20-4-577