

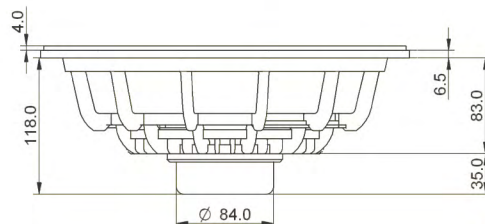
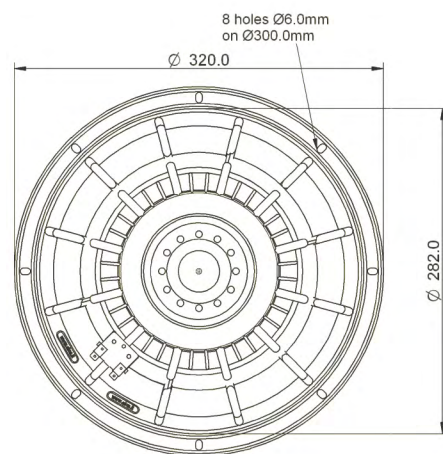
- Smooth sound bass guitar loudspeaker
- 2.5" voice coil fiberglass former
- Cone waterproof treatment
- Ventilated magnet circuit to reduce power compression
- Neodymium magnet circuit
- 96.4 dB sensitivity



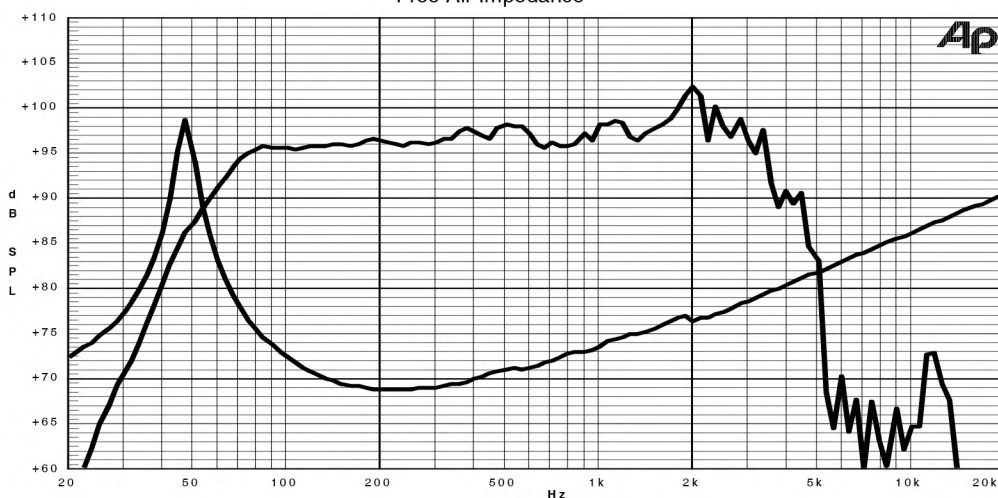
| Specifications | |
|---|-------------|
| Nominal Diameter | 320mm (12") |
| Nominal Impedance | 8Ω |
| Rated Power AES ⁽¹⁾ | 250W |
| Continuous Program Power ⁽²⁾ | 500W |
| Sensitivity @ 1W/1m ⁽³⁾ | 96.4dB |
| Voice Coil Diameter | 65mm (2.5") |
| Voice Coil Winding Depth | 18mm |
| Magnetic Gap Depth | 8mm |
| Flux Density | 1.14T |
| Magnet Weight | 220g |
| Net Weight | 2.5kg |

| Thiele & Small Parameters ⁽⁴⁾ | | | |
|--|----------|----------------------|----------------------|
| Re | 5.50Ω | Fs | 47.0Hz |
| Qms | 12.58 | Qes | 0.44 |
| Qts | 0.43 | Mms | 56.7g |
| Cms | 200μm/N | Bxl | 14.37Tm |
| Vas | 81.3l | Sd | 530.9cm ² |
| X max ⁽⁵⁾ | +/-5.5mm | X var ⁽⁶⁾ | +/-8.9mm |
| η ₀ | 1.81% | Le (1kHz) | 1.00mH |

| Constructive Characteristics | |
|------------------------------|--------------------------------|
| Magnet | : Neodymium |
| Basket Material | : Aluminium Die-Cast |
| Voice Coil Winding Material | : Copper |
| Voice Coil Former Material | : Fiberglass |
| Cone Material | : Paper |
| Cone Treatment | : Surface Waterproof Treatment |
| Surround Material | : Treated Cloth |
| Dust Dome Material | : Solid Paper |



Frequency Response on 55 Litres Vented Box @ 1W, 0.5m, normalized to SPL 1m
Free Air Impedance



Note:

- 1 : Rated Power measured with 2 hours test with pink noise signal, 6dB crest factor, loudspeaker mounted on enclosure
- 2: Power on Continuous Program is defined as 3 dB greater than the Rated Power
- 3: Calculated by Thiele & Small parameters
- 4: Thiele & Small parameters measured with laser system without preconditioning test
- 5: Measured with respect to a THD of 10% using a parameter-based method
- 6: Value corresponding to a decay of the Force Factor, or Compliance, or both, equal to the 50% of the small signal value.
- 7: Drawing dimensions: mm