

FR12-4

Visaton full-range speaker with an inverted cone displacement 13 cm (5") (2060)

[BACK](#)



General description

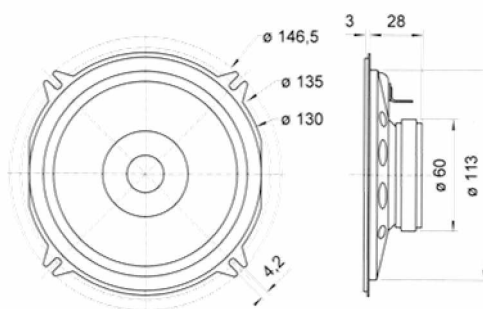
13 cm (5") fullrange speaker system with an inverted cone displacement. Very compact design making this the ideal choice where space is at a premium.

Typical applications:

- Built into cars, busses or trains
- Electronic musical instruments
- Monitoring speaker for electronic devices

Technical Data:

Rated power 15 W
Maximum power 40 W
Nominal impedance Z_4 Ohm
Frequency response 70–18000 Hz
Mean sound pressure level 85 dB (1 W/1 m)
Maximum cone displacement 5 mm
Resonance frequency f_s 110 Hz
Magnetic induction 0,8 T
Magnetic flux 150 μ Wb
Height of front pole-plate 3 mm
Voice coil diameter 20 mm
Height of winding 4,5 mm
Cutout diameter 114 mm
Net weight 0,284 kg
D.C. resistance R_{dc} 3,4 Ohm
Mechanical Q factor Q_{ms} 5,61
Electrical Q factor Q_{es} 2,8
Total Q factor Q_{ts} 1,87
Equivalent volume V_{as} 8,7 l
Effective piston area S_d 87 cm^2
Dynamically moved mass M_{ms} 3,8 g
Force factor B_{xl} 1,7 T m
Inductance of the voice coil L 0,1 mH
Heat resistance $-25 \dots 70 \text{ } ^\circ\text{C}$



drawing

Vibration IR 17 - 4.11km
Frequenca q'ud brodat:

