

# FULL RANGE LOUDSPEAKER GD 20/20/1

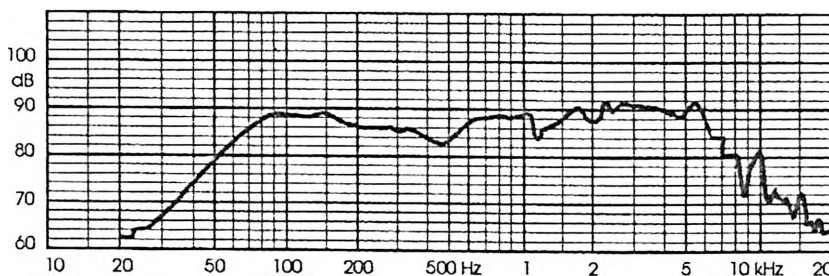
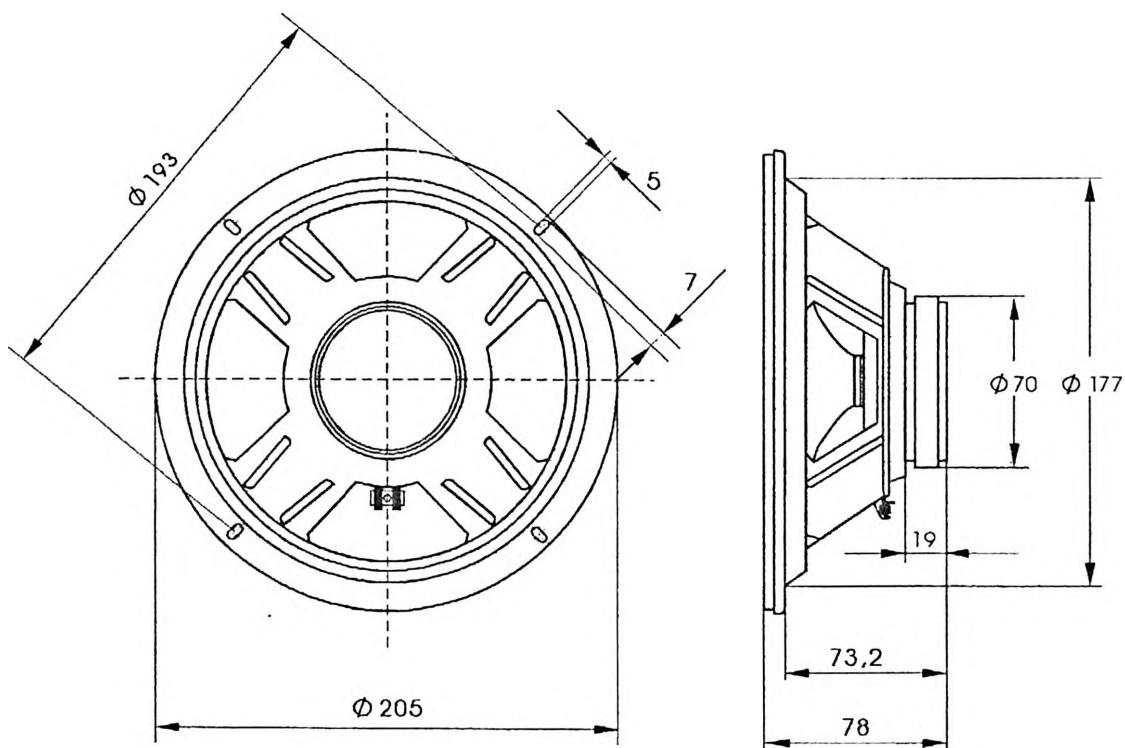
9 5157 023

## TECHNICAL DATA

Rated impedance	15 $\Omega$
Voice coil resistance	13,7 $\Omega$
Rated frequency range	50 to 8000 kHz
Resonance frequency	60 kHz
Power handling capacity, /loudspeaker unmounted, 100 h continuous/	20 W
Max power	30 W
Sensitivity	90 dB
Flux density	0,56 T
Energy in air gap	46,8 mJ
Air-gap	25/4,6/1 mm
Voice coil height	8,2 mm
Magnet	
- material	ferrite
- dimensions	70/32/10 mm
- mass	0,151 kg
Mass of loudspeaker	0,7 kg

## AVAILABLE VERSIONS

- GD 20/20/1 -15  $\Omega$ , catalogue number 9 5157 023 01



FREQUENCY RESPONSE CURVE

Measured in anechoic room at 0,1W, 0,5 m, Loudspeaker mounted on IEC baffle.