

FULL RANGE LOUDSPEAKER GD 30/100

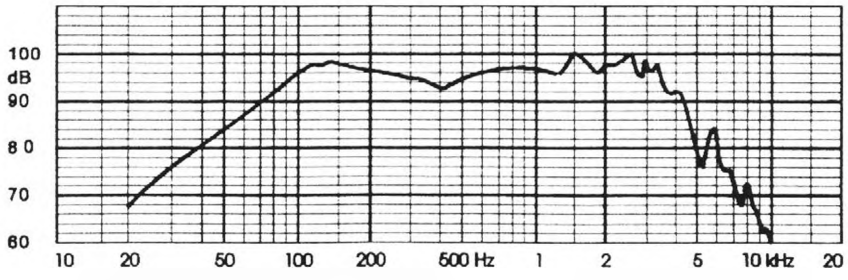
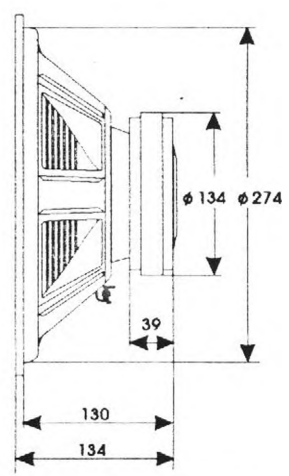
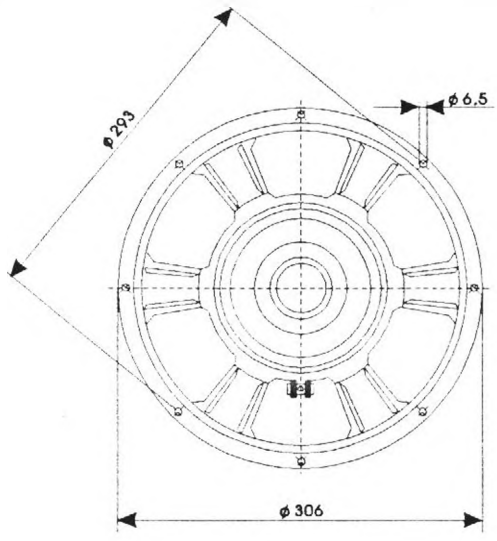
9 5157 088

TECHNICAL DATA

Rated impedance	4	8	Ω
Voice coil resistance	3,5	6,4	Ω
Rated frequency range	60 to 4000		Hz
Resonance frequency	75		Hz
Power handling capacity			
/ loudspeaker unmounted , 100 h continuous /			
Max. power	100		W
Sensitivity	250		W
Flux density	97		dB
Energy in air gap	1,1	1,15	T
Force factor - Bl	580		mJ
Piston area - S _D	9	11,3	T _m
Total moving mass - M _{MS}	0,049		m ²
Compliance /loudspeaker unmounted/ - C _{MS}	0,034		kg
Equivalent box volume - V _{AS}	13,2x10 ⁻⁵		m ³
Quality factor /loudspeaker unmounted/	0,044		
- mechanical - Q _{MS}	3,40		
- electrical - Q _{ES}	0,74	0,82	
- total - Q _{TS}	0,61	0,66	
Air - gap	35/8/1,3	35/8/1,2	mm
Voice coil height	10,9	12,3	mm
Magnet			
- material	ferrite		
- dimensions	134/59/19		mm
- mass	1,1		kg
Mass of loudspeaker	3,7		kg

AVAILABLE VERSIONS

- GD 30/100 - 8 Ω , catalogue number 9 5157 088 01
- GD 30/100 - 4 Ω , catalogue number 9 5157 088 02



FREQUENCY RESPONSE CURVE
Measured in anechoic room at 1W/1m. Loudspeaker mounted on IEC baffle.