

# FULL RANGE LOUDSPEAKER GD 5,5-17/10

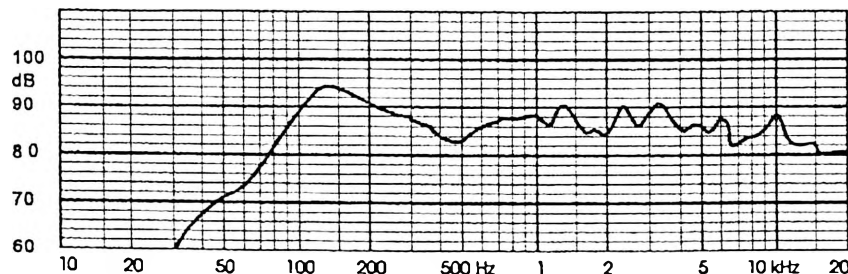
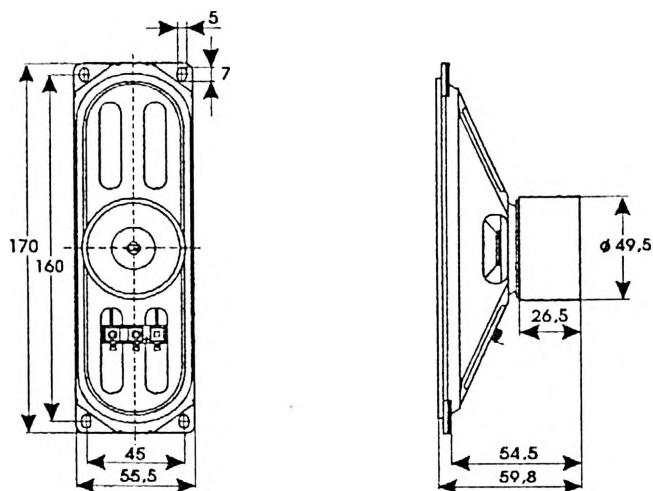
9 5111 031

## TECHNICAL DATA

Rated Impedance	4	Ω
Voice coil resistance	3,4	Ω
Rated frequency range	100 to 15000	Hz
Resonance frequency	115	Hz
Power handling capacity / loudspeaker unmounted , 100 h continuous /	10	W
Max. power	15	W
Sensitivity	87	dB
Flux density	0,72	T
Energy in air gap	35,12	mJ
Air - gap	14/4/0,91	mm
Voice coil height	4,5	mm
Magnet		
- material	ferite	
- dimensions	2x39/22,5/9	mm
- mass	2x0,036	kg
Mass of loudspeaker	0,34	kg

## AVAILABLE VERSIONS

- GD 5,5-17/10 - 4Ω, catalogue number 9 5111 031 02



FREQUENCY RESPONSE CURVE  
Measured in anechoic room at 1W/1m. Loudspeaker mounted  
on IEC baffle.