

WOOFER GDN 16/40/5

9 5151 091

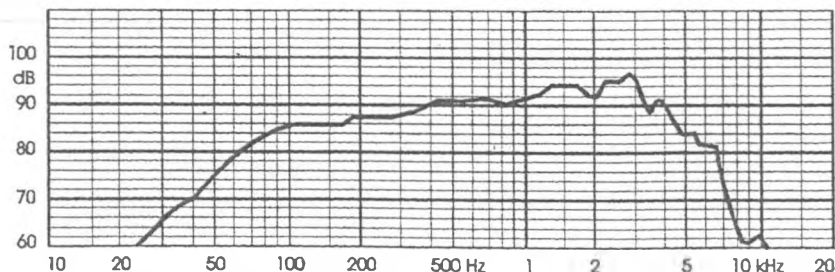
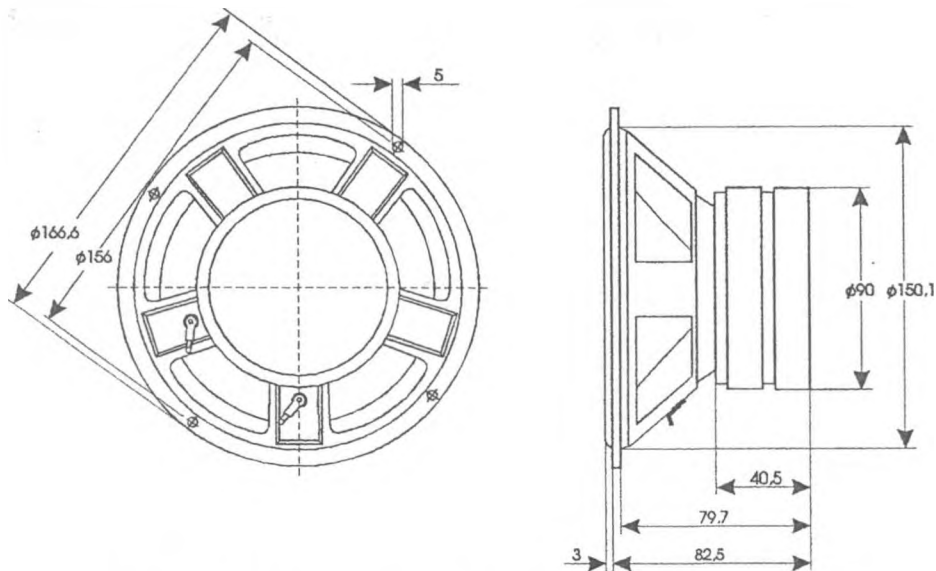
TECHNICAL DATA

Rated impedance	8	Ω
Voice coil resistance	6,5	Ω
Rated frequency range	80 to 4000	Hz
Resonance frequency	50	Hz
Power handling capacity / enclosure 9 dm ³ , 100 h continuous /	40	W
Max. power	80	W
Sensitivity	93	dB
Flux density	1,1	T
Energy in air gap	266	mJ
Force factor - Bl	7,17	Tm
Piston area - Sp	0,0148	m ²
Total moving mass - M _{MS}	0,0117	kg
Compliance /loudspeaker unmounted/ - C _{MS}	0,94 x 10 ⁻³	m/N
Equivalent box volume - V _{AS}	0,029	m ³
Quality factor /loudspeaker unmounted/		
- mechanical - Q _{MS}	4,49	
- electrical - Q _{ES}	0,465	
- total - Q _{TS}	0,42	
Air - gap	25/6/1,125	mm
Voice coil height	12	mm
Magnet		
- material	ferrite	
- dimensions	90/45/15,5	90/45/13 mm
- mass	0,35	0,31 kg
Mass of loudspeaker		1,45 kg

The loudspeaker has a polypropylene cone and a rubber surround

AVAILABLE VERSIONS

- GDN 16/40/5 - 8 Ω , catalogue number 9 5151 091 01 - black cone, plastic dust cap



FREQUENCY RESPONSE CURVE

Measured in anechoic room at 1W/1m. Loudspeaker mounted in sealed 9 dm³ enclosure.