

WOOFER GDN 25/60

9 5151 032

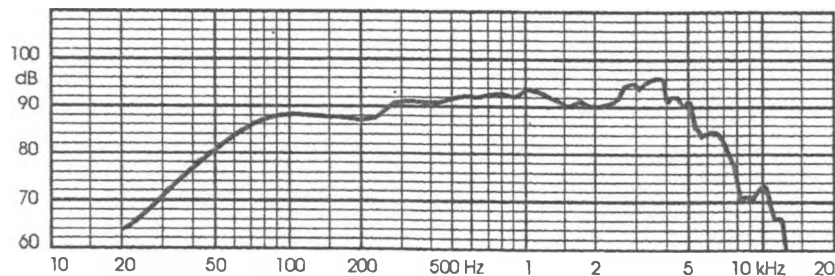
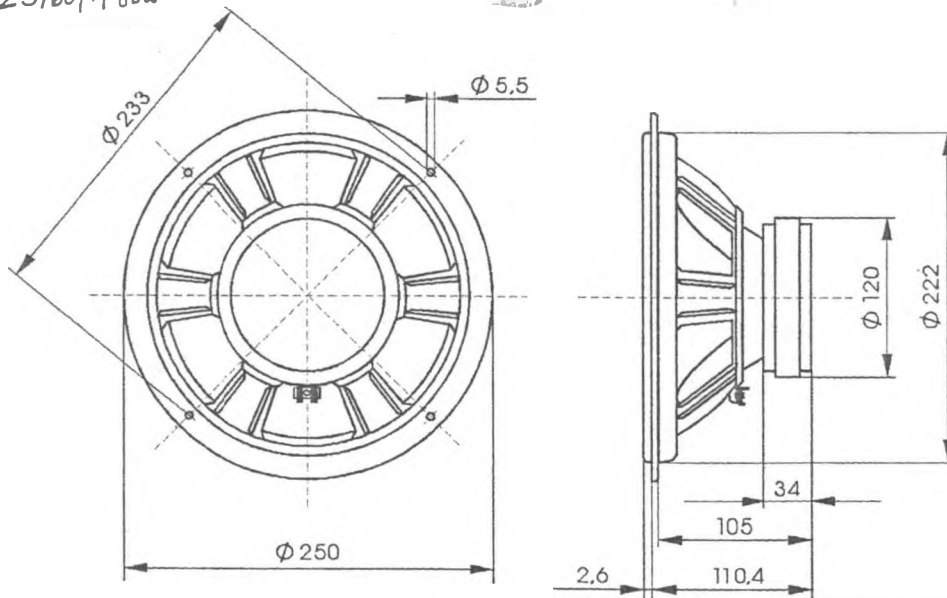
TECHNICAL DATA

Rated impedance	8 Ω
Voice coil resistance	7 Ω
Rated frequency range	60 to 5000 Hz
Resonance frequency	37 Hz
Power handling capacity / enclosure 35 dm ³ , 100 h continuous /	60 W
Max power	120 W
Sensitivity	92 dB
Flux density	0,81 T
Energy in air gap	486,7 mJ
Force factor - Bl	10,2 Tm
Piston area - S _D	0,033 m ²
Total moving mass - M _{MS}	0,026 kg
Compliance /loudspeaker unmounted/ - C _{MS}	71,3 x 10 ⁻⁶ m/N
Equivalent box volume - V _{AS}	0,11 m ³
Quality factor /loudspeaker unmounted/	
- mechanical - Q _{MS}	2,76
- electrical - Q _{ES}	0,42
- total - Q _{TS}	0,36
Air - gap	48/8/1,5 mm
Voice coil height	13,5 mm
Magnet	
- material	ferrite
- dimensions	120/60/18 mm
- mass	0,76 kg
Mass of loudspeaker	2,6 kg

AVAILABLE VERSIONS

- GDN 25/60 - 8 Ω , catalogue number 9 5151 032 01

25/60/18 Ω



FREQUENCY RESPONSE CURVE

Measured in anechoic room at 1W/ 1m, Loudspeaker mounted in sealed 35 dm³ enclosure.