

# FULL RANGE LOUDSPEAKER GDS 30/100

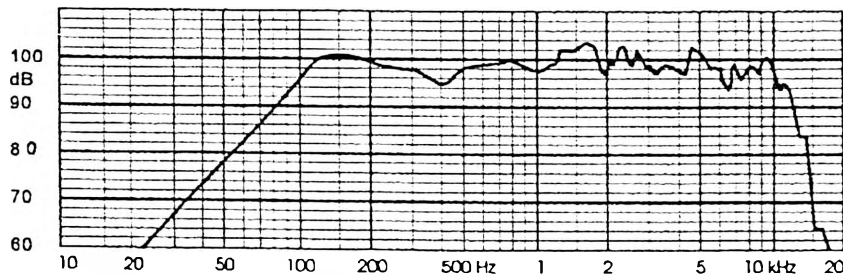
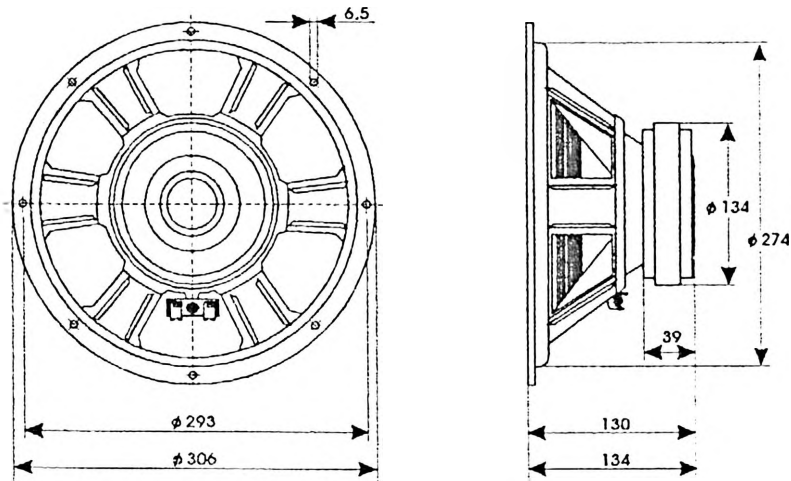
9 5157 105

## TECHNICAL DATA

Rated impedance	8	$\Omega$
Voice coil resistance	6,4	$\Omega$
Rated frequency range	60 to 10000	Hz
Resonance frequency	85	Hz
Power handling capacity / loudspeaker unmounted, 100 h continuous /	100	W
Max. power	250	W
Sensitivity	97	dB
Flux density	1,15	T
Energy in air gap	580	mJ
Force factor - Bl	11,3	Tm
Piston area - $S_D$	0,049	m <sup>2</sup>
Total moving mass - $M_{MS}$	0,034	kg
Compliance / loudspeaker unmounted / - $C_{MS}$	$13,2 \times 10^{-5}$	m/N
Equivalent box volume - $V_{AS}$	0,044	m <sup>3</sup>
Quality factor / loudspeaker unmounted /		
- mechanical - $Q_{MS}$	3,40	
- electrical - $Q_{ES}$	0,82	
- total - $Q_{TS}$	0,66	
Air - gap	35/8/1,2	mm
Voice coil height	12,3	mm
Magnet		
- material	ferrite	
- dimensions	134/59/19	mm
- mass	1,1	kg
Mass of loudspeaker	3,7	kg

## AVAILABLE VERSIONS

- GDS 30/100 - 8 $\Omega$ , catalogue number 9 5157 105 01



FREQUENCY RESPONSE CURVE

Measured in anechoic room at 1W/1m. Loudspeaker mounted on IEC baffle.