

# CONE TWEETER LOUDSPEAKER GDW 9/60

9 5155 076

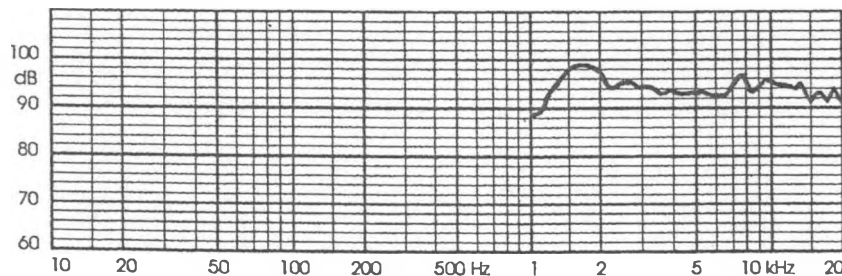
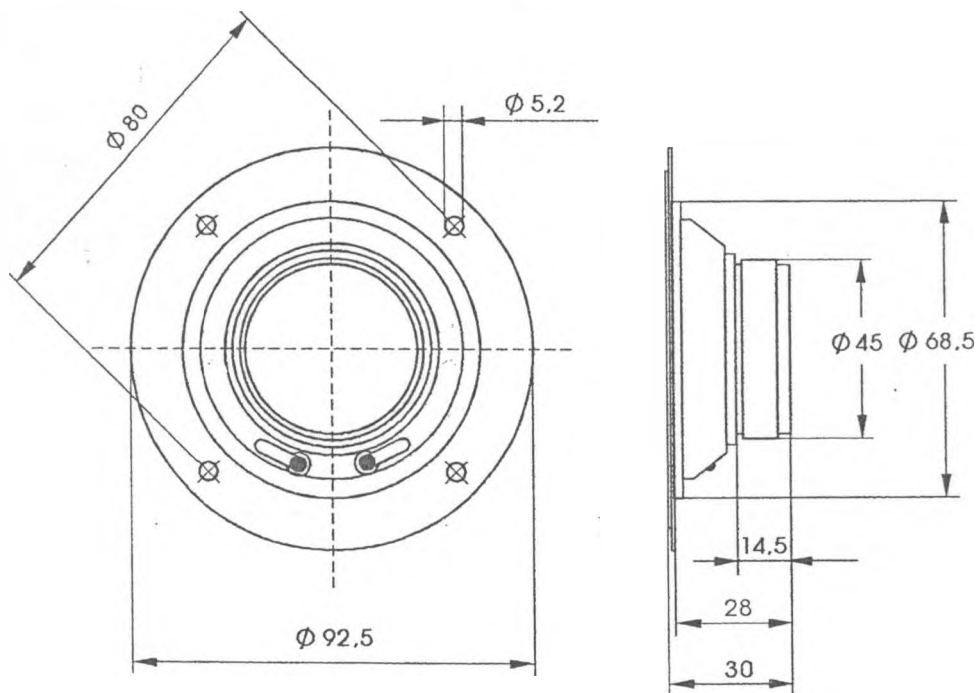
## TECHNICAL DATA

Rated impedance	15 $\Omega$
Voice coil resistance	13,7 $\Omega$
Rated frequency range	3 to 20 kHz
Resonance frequency	- kHz
Recommended crossover frequency	3 kHz
Power handling capacity, P1/P2, measured with filter,	60/2,5 W
Max power	120/5 W
Sensitivity	94 dB
Flux density	1,0 T
Energy in air gap	29,8 mJ
Air-gap	13/2,5/0,6 mm
Voice coil height	2,5 mm
Magnet	ferrite
- material	45/22/8 mm
- dimensions	0,048 kg
- mass	0,18 kg
Mass of loudspeaker	

## AVAILABLE VERSIONS

- GDW 9/60 - 15 $\Omega$ , catalogue number 9 5155 076 02

8  $\Omega$



FREQUENCY RESPONSE CURVE

Measured in anechoic room at 1W/ 1m, Loudspeaker mounted on IEC baffle.