

DOME TWEETER LOUDSPEAKER GDWK 8/80/2

9 5155 023

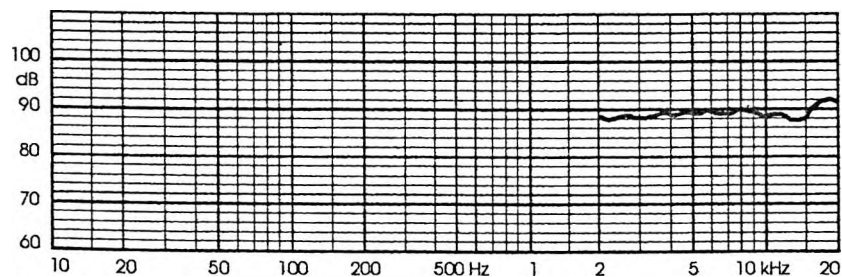
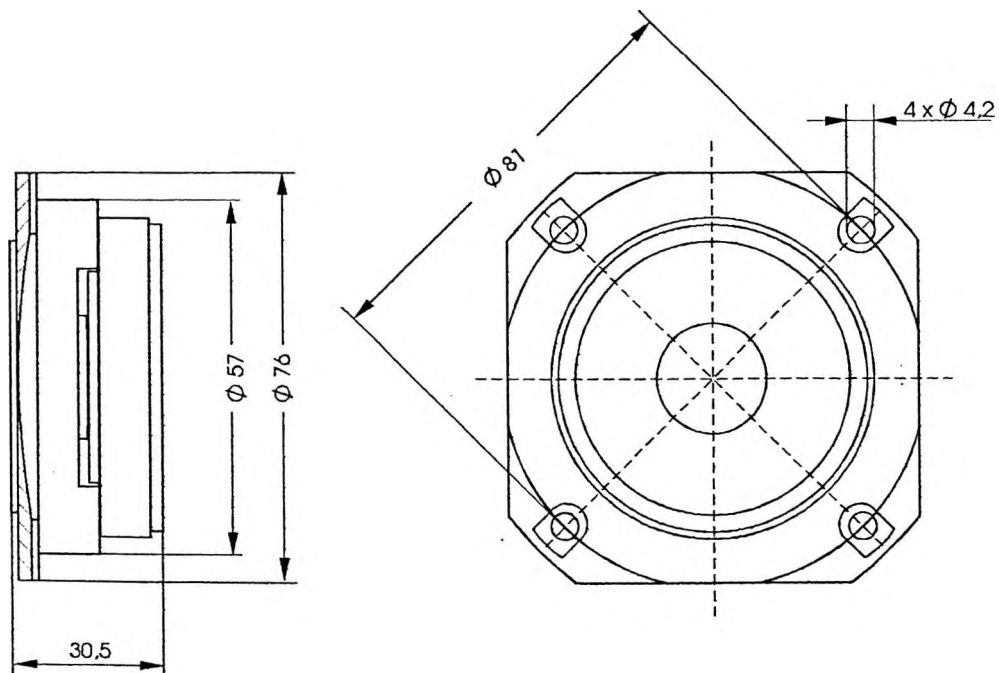
TECHNICAL DATA

| | |
|---|---------------|
| Rated impedance | 8 Ω |
| Voice coil resistance | 6,3 Ω |
| Rated frequency range | 4 to 25 kHz |
| Resonance frequency | - kHz |
| Recommended crossover frequency | 7 kHz |
| Power handling capacity, P1/P2, measured with filter | 80/1,5 W |
| Max power | 140/3,0 W |
| Sensitivity | 89 dB |
| Flux density | 1 T |
| Energy in air gap | 41 mJ |
| Air-gap | 18/2,5/0,7 mm |
| Voice coil height | 1,9 mm |
| Magnet | ferrite |
| - material | 55/23/8 mm |
| - dimensions | 0,09 kg |
| - mass | 0,24 kg |
| Mass of loudspeaker | |

Membrane material - polyamide.

AVAILABLE VERSIONS

- GDWK 8/80/2 - 8 Ω , catalogue number 9 5155 023 05



FREQUENCY RESPONSE CURVE
Measured in anechoic room at 1W, 1m, Loudspeaker mounted on IEC baffle.