

DOME TWEETER LOUDSPEAKER GDWK 9/80/5

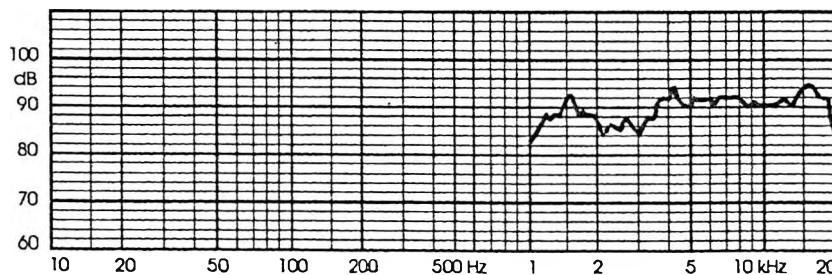
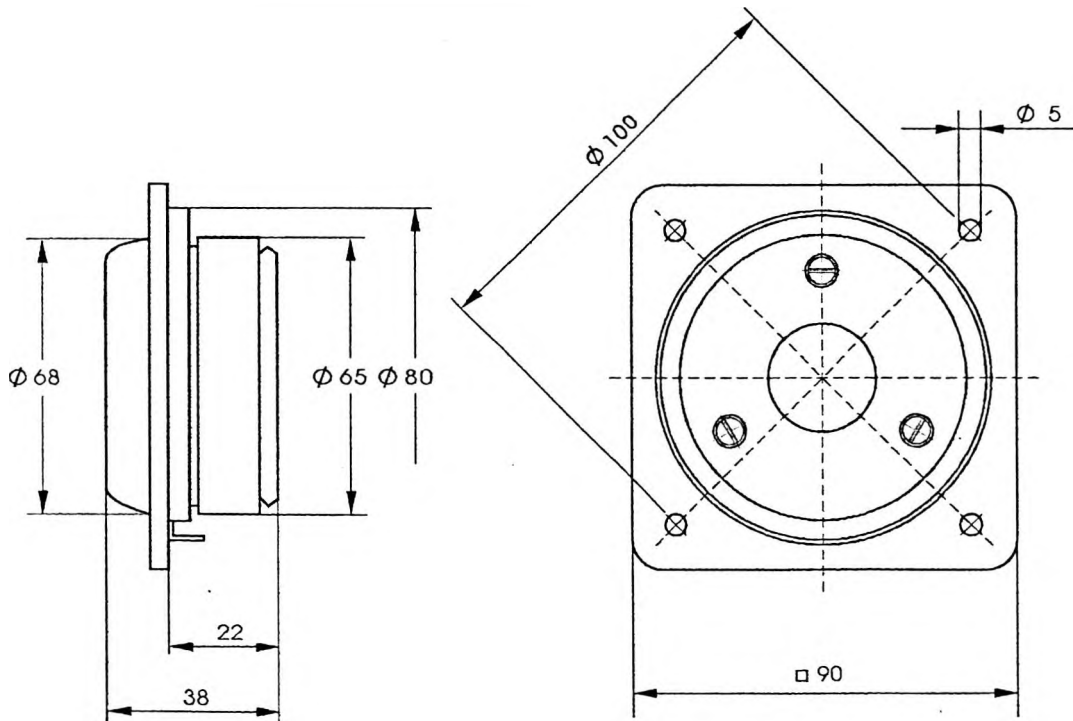
9 5155 029

TECHNICAL DATA

Rated impedance	8 Ω
Voice coil resistance	6,3 Ω
Rated frequency range	4,0 to 20 kHz
Resonance frequency	1,1 kHz
Recommended crossover frequency	4,8 kHz
Power handling capacity, P1/P2, measured with filter,	80/2,5 W
Max power	160/5 W
Sensitivity	91 dB
Flux density	0,95 T
Energy in air gap	71 mJ
Air-gap	25/3/0,815 mm
Voice coil height,	1,9 mm
Magnet	
- material	ferrite
- dimensions	65/32/10 mm
- mass	0,126 kg
Mass of loudspeaker	0,5 kg

AVAILABLE VERSIONS

- GDWK 9/80/5 - 8 Ω , catalogue number 9 5155 029 01



FREQUENCY RESPONSE CURVE
Measured in anechoic room at 1W, 1m, Loudspeaker mounted
on IEC baffle.