

# HORN TWEETER LOUDSPEAKER GDWT 9/70/1 /2

9 5155 021

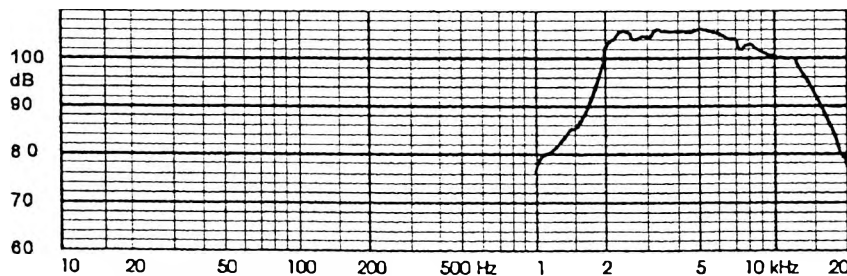
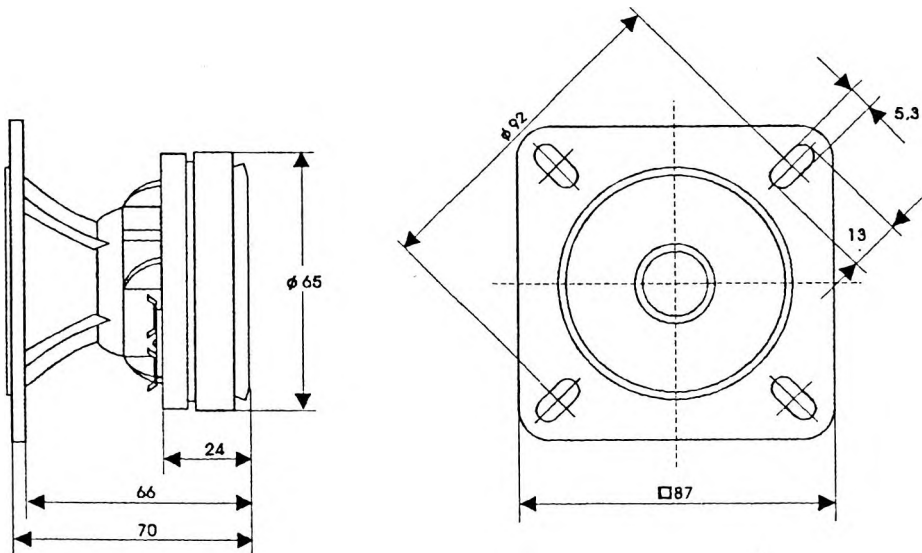
## TECHNICAL DATA

Rated impedance	8	Ω
Voice coil resistance	6,3	Ω
Rated frequency range	4 to 16	kHz
Resonance frequency	1,7	kHz
Recommended crossover frequency	4,5	kHz
Power handling capacity, P1/P2, measured with filter,	80/4	W
Max. power	160/8	W
Sensitivity	100	dB
Flux density	1,16	T
Energy in air gap	104,5	mJ
Air - gap	25/3,0/0,815	mm
Voice coil height	2,7	mm
Magnet		
- material	ferrite	
- dimensions	65/32/10	mm
- mass	0,126	kg
Mass of loudspeaker	0,45	kg

The loudspeaker has flexible wire leads .

## AVAILABLE VERSIONS

- GDWT 9/70/1 - 8Ω, catalogue number 9 5155 021 01
- GDWT 9/70/2 - 8Ω, catalogue number 9 5155 015 05



Measured in anechoic room at 1W, 1m, free field.