



**PART NUMBER:** GF0701M

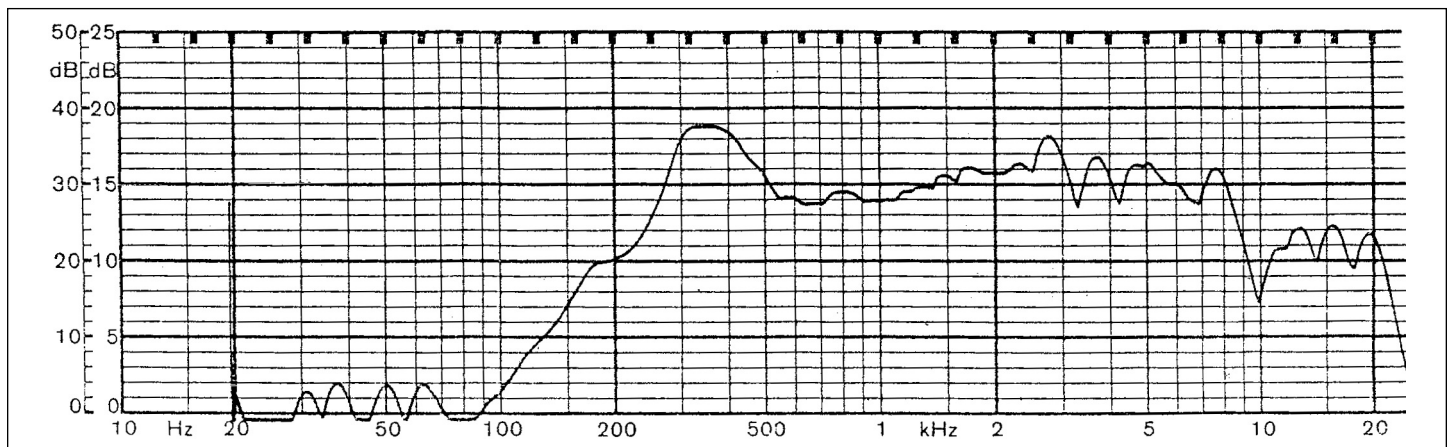
**DESCRIPTION:** speaker

**SPECIFICATIONS**

nominal size	70 mm		
impedance	8 Ohm $\pm$ 15%	at	0.8 KHz 1 V
resonant frequency	350 Hz $\pm$ 70 Hz	at	1 V
sound pressure level	88 dB/w $\pm$ 3 dB	1 w 50 cm ave. at 0.6K, 0.8K, 1K, 1.2K Hz	
response	Fo Hz ~ 9.5 KHz max 10 dB		
input power	nominal 1 W	handling capacity	2 W
operation	must be normal at program source 1 W		
buzz, rattle, etc.	must be normal at sine wave 2.82 V		
magnet	size: 32 x 18 x 6 mm		
load test	white noise 1 W	for	5 hours
heat test	70 $\pm$ 2° C	20-50% R.H.	5 hours
humidity test	40 $\pm$ 2° C	90-95% R.H.	5 hours

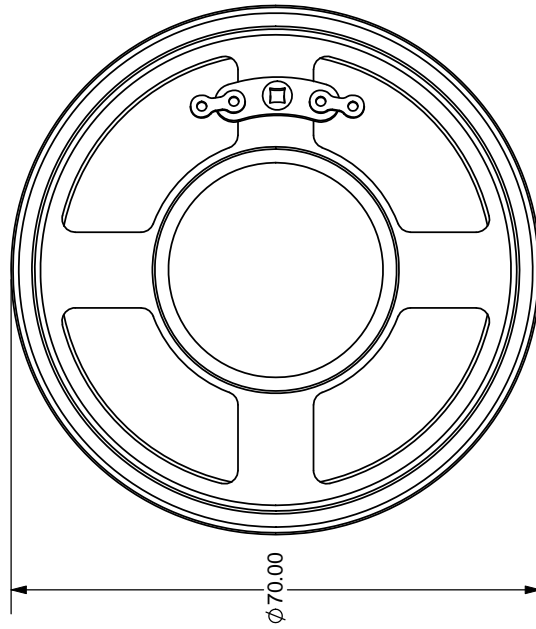
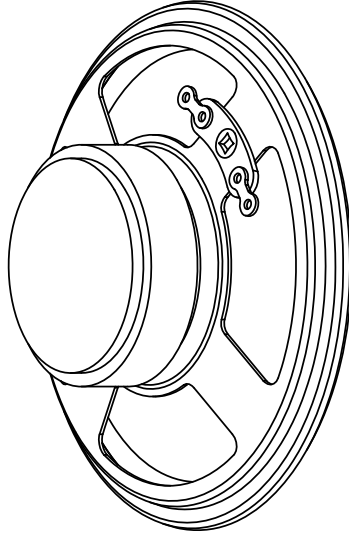
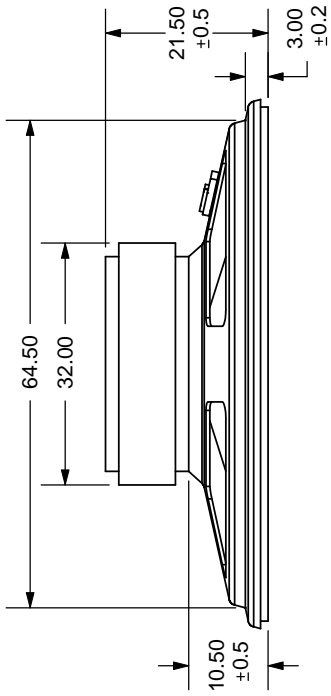
**FREQUENCY RESPONSE CURVE**

potentiometer range	50 dB
rectifier	RMS
lower limit frequency	20 Hz
wr. speed	100 mm/sec



zero level 60 dB

REV.	DESCRIPTION	DATE
A	NEW DRAWING	4/24/2008



TOLERANCE:  
±0.5mm UNLESS OTHERWISE  
SPECIFIED



**CUI INC**

20050 SW 112th Ave.  
Tualatin, OR 97062  
Phone: 503-612-2300  
800-275-4899  
Fax: 503-612-2383  
Website: www.cui.com

TITLE:	Round frame mylar cone - ferrite magnet	REV:	A
PART NO:	GF0701M	UNITS:	MM [INCHES]
DRAWN BY:	ZRJ	APPROVED BY:	
		SCALE:	1:1

PC FILE NAME: GF0701M

COPYRIGHT 2008 BY CUI INC.