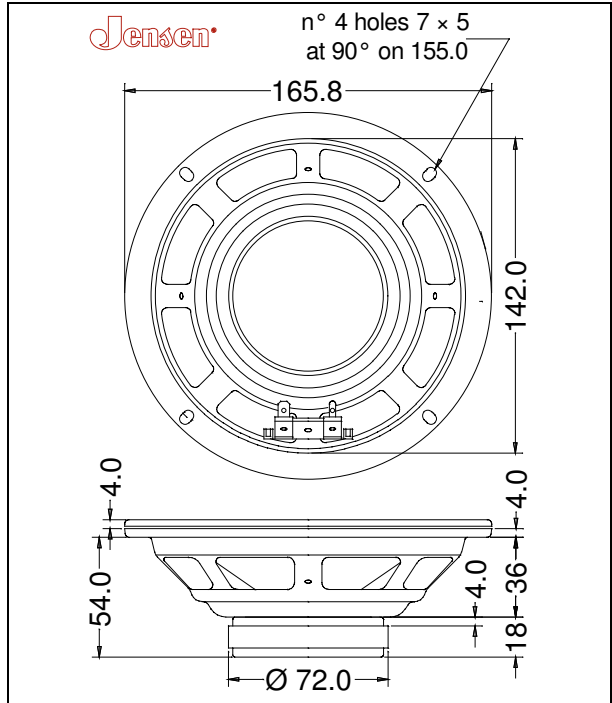


GENERAL CHARACTERISTICS		
Nominal Overall Diameter	165 mm	6 in
Nominal Voice Coil Diameter	20 mm	.75 in
Magnet Weight	160 g	5.6 oz
Overall Weight		1.30 lbs
Flux Density		1.10 T

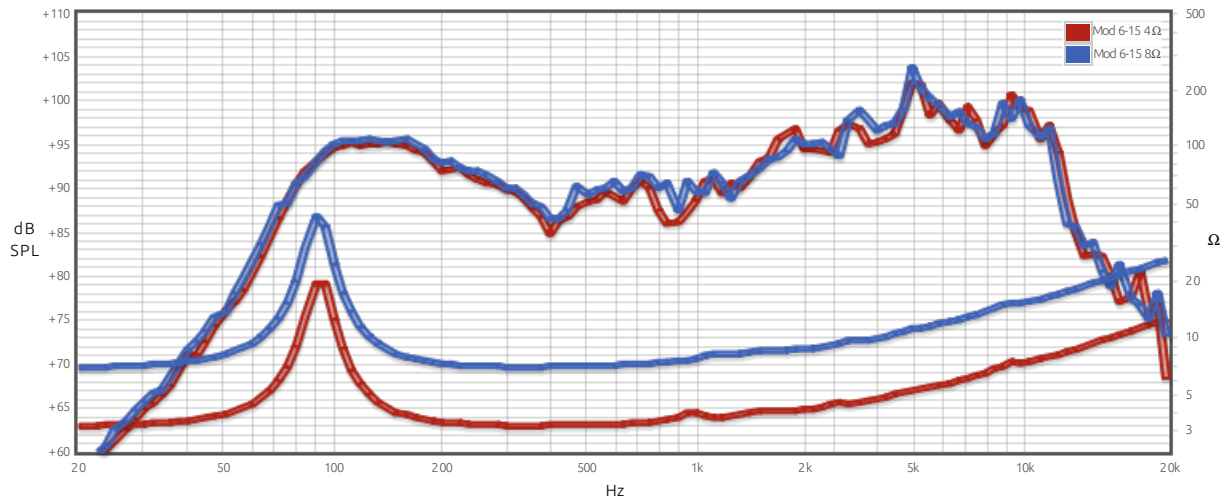
THIELE-SMALL PARAMETERS		4 Ω	8 Ω
Voice Coil DC Resistance	R_E	3.00	6.64 Ω
Resonance Frequency	f_S	91	89.9 Hz
Mechanical Q Factor	Q_{MS}	8.06	8.44
Electrical Q Factor	Q_{ES}	1.39	1.44
Total Q Factor	Q_{TS}	1.19	1.23
Mechanical Moving Mass	M_{MS}	5.5	6.7 g
Mechanical Compliance	C_{MS}	552	465 μm/N
Force Factor	B_{XL}	2.68	4.19 Wb/m
Equivalent Acoustic Volume	V_{AS}	11.7	9.9 lt.
Maximum Linear Displacement	X_{MAX}	0.5	0.5 mm
Reference Efficiency	η_O	0.61	0.48 %
Diaphragm Area	S_D	122.7	122.7 cm ²
Losses Electrical Resistance	R_{ES}	18.0	39.0 Ω
Voice Coil Inductance @ 1kHz	L_E	0.16	0.43 mH

CONSTRUCTIVE CHARACTERISTICS	
Magnet	Ferrite
Voice Coil Winding	Copper
Voice Coil Former	Epotex
Cone	Paper
Surround	Foam
Dust Dome	Solid Paper
Basket	Pressed Sheet Steel

ELECTRICAL CHARACTERISTICS		4 Ω	8 Ω
Nominal Impedance		4	8 Ω
Rated Power		15	15 W
Musical Power		30	30 W
Sensitivity@1W,1m		90.9	89.9 dB



Frequency Response on IEC Baffle (DIN 4575) @ 1 W, 1 m - Free Air Impedance



Due to continuing product improvement, the features and the design are subject to change without notice.