

54ACQ/74ACQ646 • 54ACTQ/74ACTQ646

Quiet Series Octal Transceiver/Register with TRI-STATE® Outputs

General Description

The 'ACQ/'ACTQ646 consist of registered bus transceiver circuits, with outputs, D-type flip-flops, and control circuitry providing multiplexed transmission of data directly from the input bus or from the internal storage registers. Data on the A or B bus will be loaded into the respective registers on the LOW-to-HIGH transition of the appropriate clock pin (CPAB or CPBA).

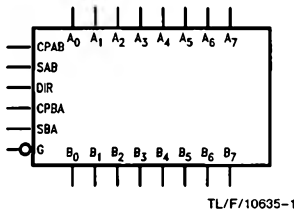
The 'ACQ/'ACTQ utilizes NSC Quiet Series technology to guarantee quiet output switching and improved dynamic threshold performance. FACT Quiet Series™ features GTO™ output control and undershoot corrector in addition to a split ground bus for superior performance.

The information on the ACQ646 is Advanced Information only.

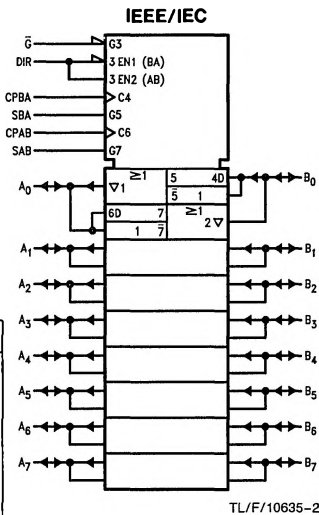
Features

- Guaranteed simultaneous switching noise level and dynamic threshold performance
- Guaranteed pin-to-pin skew AC performance
- Independent registers for A and B busses
- Multiplexed real-time and stored data transfers
- 300 mil slim dual-in-line package
- Outputs source/sink 24 mA
- Faster prop delays than the standard 'AC/'ACT646
- 4 kV minimum ESD immunity

Logic Symbols

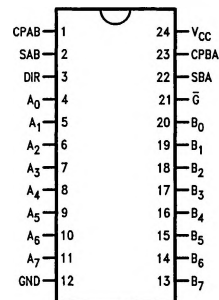


Pin Names	Description
A ₀ -A ₇	Data Register A Inputs
B ₀ -B ₇	Data Register A Outputs
CPAB, CPBA	Data Register B Inputs
SAB, SBA	Data Register B Outputs
CPAB, CPBA	Clock Pulse Inputs
SAB, SBA	Transmit/Receive Inputs
G	Output Enable Input
DIR	Direction Control Input



Connection Diagrams

Pin Assignment for DIP, Flatpak and SOIC



Pin Assignment for LCC and PCC

