

54FCT/74FCT646

Octal Transceiver/Register with TRI-STATE® Outputs

General Description

The 'FCT646 consist of registered bus transceiver circuits, with outputs, D-type flip-flops and control circuitry providing multiplexed transmission of data directly from the input bus or from the internal storage registers. Data on the A or B bus will be loaded into the respective registers on the LOW-to-HIGH transition of the appropriate clock pin (CPAB or CPBA).

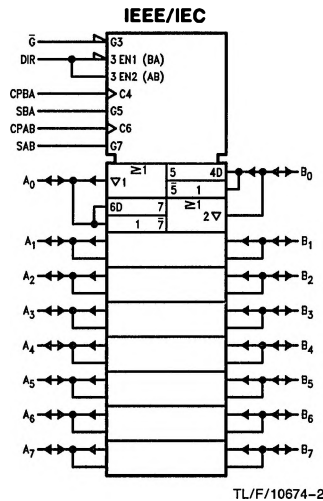
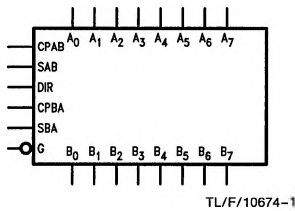
FACT™ FCT utilizes NSC quiet series technology to provide improved quiet output switching and dynamic threshold performance.

FACT FCT features GTO™ output control and undershoot corrector in addition to a split ground bus for superior performance.

Features

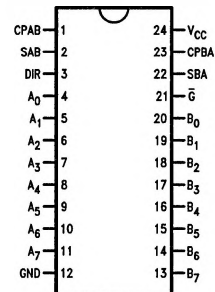
- NSC 54FCT/74FCT646 is pin and functionally equivalent to IDT 54FCT/74FCT646
- Independent registers for A and B buses multiplexed real time and stored time
- Input clamp diodes to limit bus reflections
- TTL/CMOS input and output level compatible
- $I_{OL} = 64 \text{ mA (Com), } 48 \text{ mA (Mil)}$
- CMOS power levels
- 4 kV minimum ESD immunity
- Military product compliant to MIL-STD-883

Logic Symbols

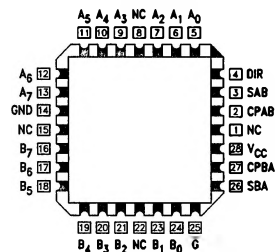


Connection Diagrams

Pin Assignment for DIP, Flatpak and SOIC



Pin Assignment for LCC and PCC



Pin Names	Description
A ₀ -A ₇	Data Register A Inputs Data Register A Outputs
B ₀ -B ₇	Data Register B Inputs Data Register B Outputs
CPAB, CPBA	Clock Pulse Inputs
SAB, SBA	Transmit/Receive Inputs
G	Output Enable Input
DIR	Direction Control Input