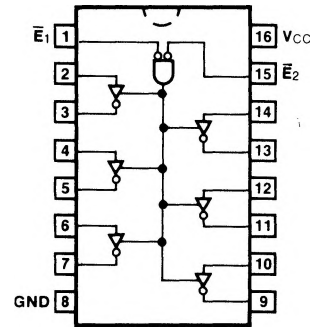


54LS/74LS366A

HEX 3-STATE INVERTER BUFFER (With Common 2-Input NOR Enable)

**CONNECTION DIAGRAM
PINOUT A**



ORDERING CODE: See Section 9

PKGS	PIN OUT	COMMERCIAL GRADE	MILITARY GRADE	PKG TYPE
		$V_{CC} = +5.0 \text{ V} \pm 5\%$, $T_A = 0^\circ\text{C to } +70^\circ\text{C}$	$V_{CC} = +5.0 \text{ V} \pm 10\%$, $T_A = -55^\circ\text{C to } +125^\circ\text{C}$	
Plastic DIP (P)	A	74LS366APC		9B
Ceramic DIP (D)	A	74LS366ADC	54LS366ADM	6B
Flatpak (F)	A	74LS366AFC	54LS366AFM	4L

TRUTH TABLE

INPUTS			OUTPUT
\bar{E}_1	\bar{E}_2	D	
L	L	L	H
L	L	H	L
H	X	X	Z
X	H	X	Z

H = HIGH Voltage Level
L = LOW Voltage Level
X = Immaterial
Z = High Impedance

INPUT LOADING/FAN-OUT: See Section 3 for U.L. definitions

PINS	54/74LS (U.L.) HIGH/LOW
Inputs	0.5/0.25
Outputs	25/15 (7.5)

DC AND AC CHARACTERISTICS: See Section 3*

SYMBOL	PARAMETER	54/74LS		UNITS	CONDITIONS
		Min	Max		
I_{CC}	Power Supply Current		21	mA	$V_{CC} = \text{Max}, V_{IN} = 0 \text{ V}, V\bar{E} = 4.5 \text{ V}$
t_{PLH} t_{PHL}	Propagation Delay		12 22	ns	Figs. 3-1, 3-5 $C_L = 50 \text{ pF}$
t_{PZH} t_{PZL}	Output Enable Time		24 30	ns	Figs. 3-3, 3-11, 3-12 $R_L = 667 \Omega, C_L = 50 \text{ pF}$
t_{PLZ} t_{PHZ}	Output Disable Time		20 25	ns	Figs. 3-3, 3-11, 3-12 $R_L = 667 \Omega, C_L = 5 \text{ pF}$

*DC limits apply over operating temperature range; AC limits apply at $T_A = +25^\circ\text{C}$ and $V_{CC} = +5.0 \text{ V}$.