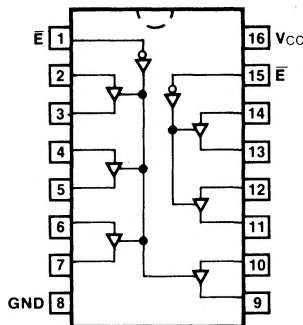


54LS/74LS367A

HEX 3-STATE BUFFER

(With Separate 2-Bit and 4-Bit Sections)

CONNECTION DIAGRAM PINOUT A



ORDERING CODE: See Section 9

PKGS	PIN OUT	COMMERCIAL GRADE	MILITARY GRADE	PKG TYPE
		$V_{CC} = +5.0\text{ V} \pm 5\%$, $T_A = 0^\circ\text{ C to } +70^\circ\text{ C}$	$V_{CC} = +5.0\text{ V} \pm 10\%$, $T_A = -55^\circ\text{ C to } +125^\circ\text{ C}$	
Plastic DIP (P)	A	74LS367APC		9B
Ceramic DIP (D)	A	74LS367ADC	54LS367ADM	6B
Flatpak (F)	A	74LS367AFC	54LS367AFM	4L

TRUTH TABLE

INPUTS		OUTPUT
E	D	
L	L	L
L	H	H
H	X	Z

H = HIGH Voltage Level
L = LOW Voltage Level
X = Immaterial
Z = High Impedance

INPUT LOADING/FAN-OUT: See Section 3 for U.L. definitions

PINS	54/74LS (U.L.) HIGH/LOW
Inputs	0.5/0.25
Outputs	25/15 (7.5)

DC AND AC CHARACTERISTICS: See Section 3*

SYMBOL	PARAMETER	54/74LS		UNITS	CONDITIONS
		Min	Max		
I_{CC}	Power Supply Current		24	mA	$V_{CC} = \text{Max}, V_{IN} = 0\text{ V}, V_E = 4.5\text{ V}$
t_{PLH} t_{PHL}	Propagation Delay		16 22	ns	Figs. 3-1, 3-4 $C_L = 50\text{ pF}$
t_{PZH} t_{PZL}	Output Enable Time		24 30	ns	Figs. 3-3, 3-11, 3-12 $R_L = 667\ \Omega, C_L = 50\text{ pF}$
t_{PLZ} t_{PHZ}	Output Disable Time		20 25	ns	Figs. 3-3, 3-11, 3-12 $R_L = 667\ \Omega, C_L = 5\text{ pF}$

*DC limits apply over operating temperature range; AC limits apply at $T_A = +25^\circ\text{ C}$ and $V_{CC} = +5.0\text{ V}$.