



## 74LVX138 Low Voltage 1-of-8 Decoder/Demultiplexer

### General Description

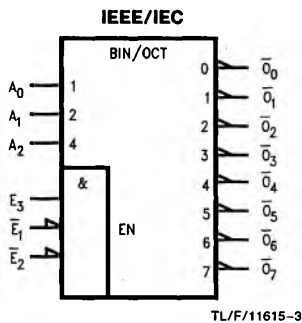
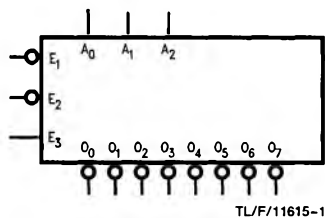
The LVX138 is a high-speed 1-of-8 decoder/demultiplexer. This device is ideally suited for high-speed bipolar memory chip select address decoding. The multiple input enables allow parallel expansion to a 1-of-24 decoder using just three LVX138 devices or a 1-of-32 decoder using four LVX138 devices and one inverter.

### Features

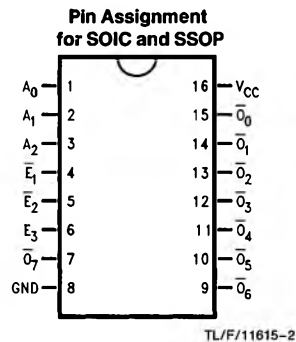
- Input voltage level translation from 5V to 3V
- Ideal for low power/low noise 3.3V applications
- Available in SOIC JEDEC, SOIC EIAJ and SSOP packages
- Guaranteed simultaneous switching noise level and dynamic threshold performance

**Ordering Code:** See Section 11

### Logic Symbols



### Connection Diagram



Pin Names	Description
A <sub>0</sub> -A <sub>2</sub>	Address Inputs
$\bar{E}_1$ - $\bar{E}_2$	Enable Inputs
E <sub>3</sub>	Enable Input
$\bar{O}_0$ - $\bar{O}_7$	Outputs

	SOIC JEDEC	SOIC EIAJ	SSOP TYPE I
Order Number	74LVX138M 74LVX138MX	74LVX138SJ 74LVX138SJX	74LVX138MSCX
See NS Package Number	M16A	M16D	MSC16

## Functional Description

The LVX138 high-speed 1-of-8 decoder/demultiplexer accepts three binary weighted inputs ( $A_0$ ,  $A_1$ ,  $A_2$ ) and, when enabled, provides eight mutually exclusive active-LOW outputs ( $\bar{O}_0$ – $\bar{O}_7$ ). The LVX138 features three Enable inputs, two active-LOW ( $\bar{E}_1$ ,  $\bar{E}_2$ ) and one active-HIGH ( $E_3$ ). All outputs will be HIGH unless  $\bar{E}_1$  and  $\bar{E}_2$  are LOW and  $E_3$  is HIGH.

The LVX138 can be used as an 8-output demultiplexer by using one of the active LOW Enable inputs as the data input and the other Enable inputs as strobes. The Enable inputs which are not used must be permanently tied to their appropriate active-HIGH or active-LOW state.

## Truth Table

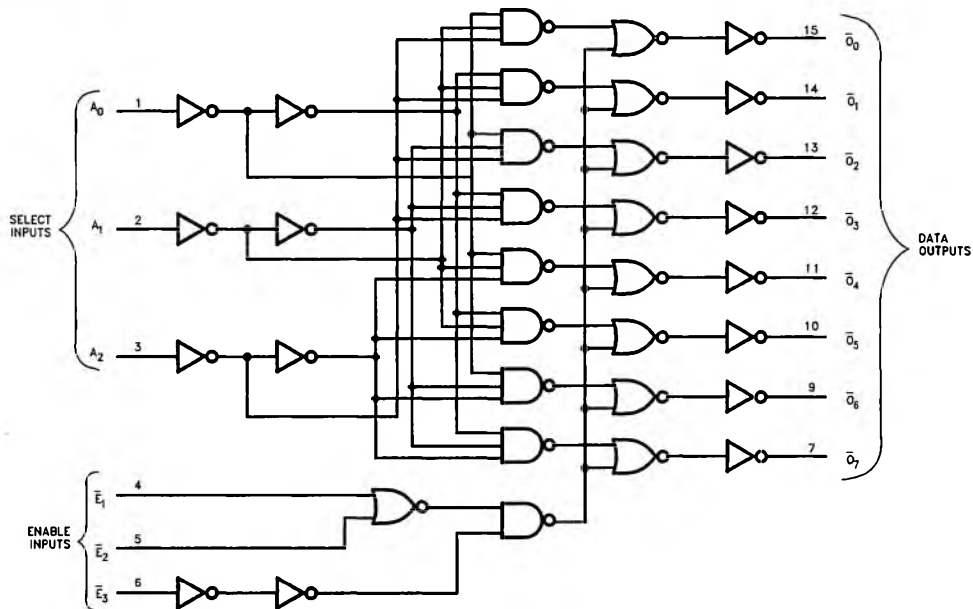
Inputs						Outputs							
$\bar{E}_1$	$\bar{E}_2$	$E_3$	$A_0$	$A_1$	$A_2$	$\bar{O}_0$	$\bar{O}_1$	$\bar{O}_2$	$\bar{O}_3$	$\bar{O}_4$	$\bar{O}_5$	$\bar{O}_6$	$\bar{O}_7$
H	X	X	X	X	X	H	H	H	H	H	H	H	H
X	H	X	X	X	X	H	H	H	H	H	H	H	H
X	X	L	X	X	X	H	H	H	H	H	H	H	H
L	L	H	L	L	L	L	H	H	H	H	H	H	H
L	L	H	H	L	L	H	L	H	H	H	H	H	H
L	L	H	L	H	L	H	H	L	H	H	H	H	H
L	L	H	H	H	L	H	H	H	L	H	H	H	H
L	L	H	L	L	H	H	H	H	H	L	H	H	H
L	L	H	H	L	H	H	H	H	H	L	H	H	H
L	L	H	L	H	H	H	H	H	H	H	L	H	H
L	L	H	H	H	H	H	H	H	H	H	H	L	H
L	L	H	H	H	H	H	H	H	H	H	H	H	L

H = HIGH Voltage Level

L = LOW Voltage Level

X = Immaterial

## Logic Diagram



TL/F/11615-4

Please note that this diagram is provided only for the understanding of logic operations and should not be used to estimate propagation delays.

**Absolute Maximum Ratings** (Note)

If Military/Aerospace specified devices are required, please contact the National Semiconductor Sales Office/Distributors for availability and specifications.

Supply Voltage ( $V_{CC}$ )	-0.5V to +7.0V
DC Input Diode Current ( $I_{IK}$ )	-20 mA
$V_I = -0.5V$	
DC Input Voltage ( $V_I$ )	-0.5V to 7V
DC Output Diode Current ( $I_{OK}$ )	-20 mA
$V_O = -0.5V$	
$V_O = V_{CC} + 0.5V$	+20 mA
DC Output Voltage ( $V_O$ )	-0.5V to $V_{CC} + 0.5V$
DC Output Source or Sink Current ( $I_O$ )	$\pm 25$ mA
DC $V_{CC}$ or Ground Current ( $I_{CC}$ or $I_{GND}$ )	$\pm 75$ mA
Storage Temperature ( $T_{STG}$ )	-65°C to +150°C
Power Dissipation	180 mW

Note: The "Absolute Maximum Ratings" are those values beyond which the safety of the device cannot be guaranteed. The device should not be operated at these limits. The parametric values defined in the "Electrical Characteristics" table are not guaranteed at the absolute maximum ratings. The "Recommended Operating Conditions" table will define the conditions for actual device operation.

**Recommended Operating Conditions**

Supply Voltage ( $V_{CC}$ )	2.0V to 3.6V
Input Voltage ( $V_I$ )	0V to 5.5V
Output Voltage ( $V_O$ )	0V to $V_{CC}$
Operating Temperature ( $T_A$ )	-40°C to +85°C
Input Rise and Fall Time ( $\Delta t_r/\Delta t_f$ )	0 ns/V to 100 ns/V

**DC Electrical Characteristics**

Symbol	Parameter	$V_{CC}$	74LVX138			74LVX138		Units	Conditions
			$T_A = +25^\circ\text{C}$			$T_A = -40^\circ\text{C to } +85^\circ\text{C}$			
			Min	Typ	Max	Min	Max		
$V_{IH}$	High Level Input Voltage	2.0 3.0 3.6	1.5 2.0 2.4			1.5 2.0 2.4	V		
$V_{IL}$	Low Level Input Voltage	2.0 3.0 3.6			0.5 0.8 0.8		V		
$V_{OH}$	High Level Output Voltage	2.0 3.0 3.0	1.9 2.9 2.58	2.0 3.0		1.9 2.9 2.48	V	$V_{IN} = V_{IL}$ or $V_{IH}$ $I_{OH} = -50 \mu\text{A}$ $I_{OH} = -50 \mu\text{A}$ $I_{OH} = -4 \text{ mA}$	
$V_{OL}$	Low Level Output Voltage	2.0 3.0 3.0		0.0 0.0 0.36		0.1 0.1 0.44	V	$V_{IN} = V_{IL}$ or $V_{IH}$ $I_{OL} = 50 \mu\text{A}$ $I_{OL} = 50 \mu\text{A}$ $I_{OL} = 4 \text{ mA}$	
$I_{IN}$	Input Leakage Current	3.6		$\pm 0.1$		$\pm 1.0$	$\mu\text{A}$	$V_{IN} = 5.5\text{V}$ or GND	
$I_{CC}$	Quiescent Supply Current	3.6		4.0		40.0	$\mu\text{A}$	$V_{IN} = V_{CC}$ or GND	

**Noise Characteristics:** See Section 2 for Test Methodology

Symbol	Parameter	V <sub>CC</sub> (V)	74LVX138		Units	C <sub>L</sub> (pF)
			T <sub>A</sub> = 25°C			
			Typ	Limit		
V <sub>OLP</sub>	Quiet Output Maximum Dynamic V <sub>OL</sub>	3.3	0.3	0.5	V	50
V <sub>OLV</sub>	Quiet Output Minimum Dynamic V <sub>OL</sub>	3.3	-0.3	-0.5	V	50
V <sub>IHD</sub>	Minimum High Level Dynamic Input Voltage	3.3	2.0		V	50
V <sub>ILD</sub>	Maximum Low Level Dynamic Input Voltage	3.3	0.8		V	50

Note: Input t<sub>r</sub> = t<sub>f</sub> = 3 ns

**AC Electrical Characteristics:** See Section 2 for Test Methodology

Symbol	Parameter	V <sub>CC</sub> (V)	74LVX138			74LVX138		Units	C <sub>L</sub> (pF)
			T <sub>A</sub> = +25°C			T <sub>A</sub> = -40°C to +85°C			
			Min	Typ	Max	Min	Max		
t <sub>PLH</sub> t <sub>PHL</sub>	Propagation Delay Time A <sub>n</sub> to $\bar{O}_n$	2.7	7.1	13.8	1.0	16.5	ns	15	
			9.6	17.3	1.0	20.0		50	
		3.3 ± 0.3	5.5	8.8	1.0	10.5		15	
			8.0	12.3	1.0	14.0		50	
t <sub>PLH</sub> t <sub>PHL</sub>	Propagation Delay Time $\bar{E}_1$ or $\bar{E}_2$ to $\bar{O}_n$	2.7	8.8	16.0	1.0	18.5	ns	15	
			11.3	19.5	1.0	22.0		50	
		3.3 ± 0.3	6.9	10.4	1.0	11.5		15	
			9.4	13.9	1.0	15.0		50	
t <sub>PLH</sub> t <sub>PHL</sub>	Propagation Delay Time E <sub>3</sub> to $\bar{O}_n$	2.7	8.7	16.3	1.0	19.5	ns	15	
			11.2	19.8	1.0	23.0		50	
		3.3 ± 0.3	6.8	10.6	1.0	12.5		15	
			9.3	14.1	1.0	16.0		50	
t <sub>OSSL</sub> t <sub>OSLH</sub>	Output to Output Skew (Note 1)	2.7	1.5		1.5		ns	50	

Note 1: Parameter guaranteed by design. t<sub>OSLH</sub> = |t<sub>PLHn</sub> - t<sub>PLHn</sub>|, t<sub>OSSL</sub> = |t<sub>PHLn</sub> - t<sub>PHLn</sub>|

**Capacitance**

Symbol	Parameter	74LVX138			74LVX138		Units
		T <sub>A</sub> = +25°C			T <sub>A</sub> = -40°C to +85°C		
		Min	Typ	Max	Min	Max	
C <sub>IN</sub>	Input Capacitance	4		10	10		pF
C <sub>PD</sub>	Power Dissipation Capacitance (Note 1)	34				pF	

Note 1: C<sub>PD</sub> is defined as the value of the internal equivalent capacitance which is calculated from the operating current consumption without load.

Average operating current can be obtained by the equation: I<sub>CC(opr.)</sub> = C<sub>PD</sub> × V<sub>CC</sub> × f<sub>IN</sub> + I<sub>CC</sub>