

# AN3497SB

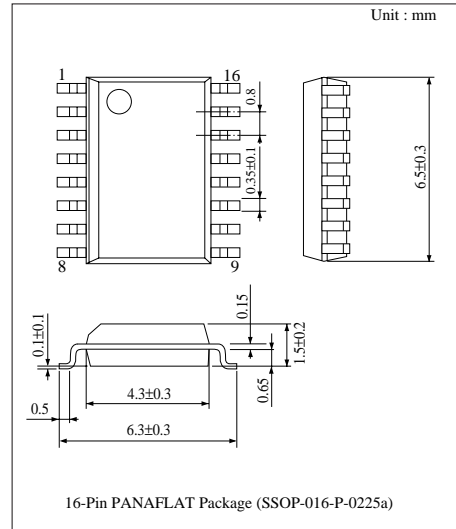
## Chroma Noise Reduction IC

### ■ Overview

The AN3497SB is a chroma noise reduction (CNR) IC for VCR and uses a chroma recursive filter system. In combination with the AN2260 (luminance signal processing), AN2460 (chroma signal processing), etc., it configures a VHS signal processing system.

### ■ Features

- Capable of meeting with the NTSC/PAL system.
- Capable of meeting with the EDIT mode and THRU mode.
- The CNR limiter level and CNR output level can be adjusted depending on external DC.
- The feedback constant (KC) can be set optionally depending on an external resistor.
- The chroma signal can be adjusted depending on an external resistor.
- Built-in functions such as Y vertical correlative signal detector, etc.



### ■ Block Diagram

