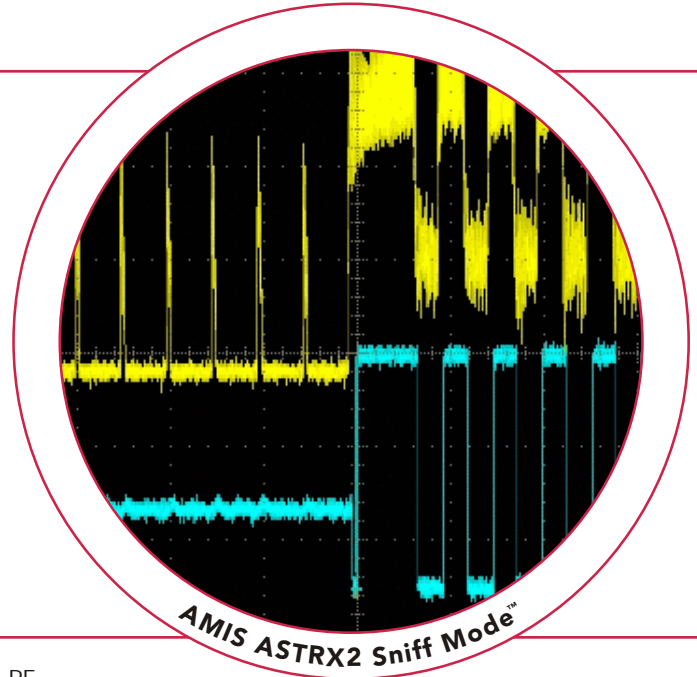


ASTRX2 Single-Chip Radio Transceiver

Key Features

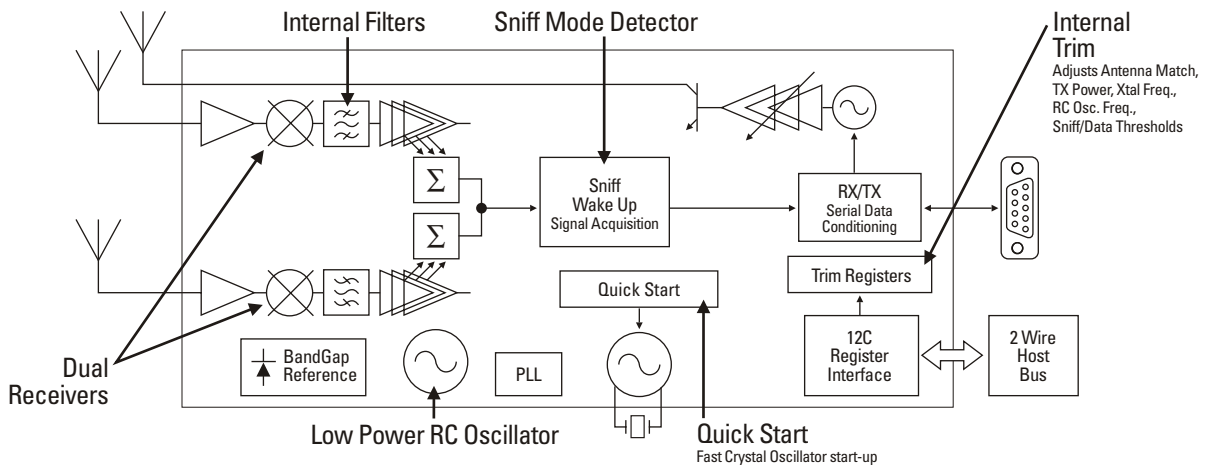
- Very low power single-chip CMOS transceiver
- Minimal external components
- Low-power RC oscillator
- Unique Quick Start, Low-Noise Oscillator (patent pending)
- Extreme low-power RF Sniff Mode™, wake up on RSSI
- Internal trim functions
- I²C control interface
- Serial TX/RX data port
- Clock generation for an external microprocessor
- Internal VCO/PLL tuning varactor
- Unique Antenna Diversity Dual Receiver (patent pending)



Product Description

The ASTRX2 is a versatile 433.92 MHz narrowband RF transceiver chip. It can operate in a half duplex mode at a 1 to 19.2 Kbps data rate. The ASTRX2 uses a programmable time between wakeups in Sniff Mode to conserve power. The design has been optimized for low-power applications where long battery life is required. The

quick turn on time for the oscillator allows the receiver to quickly power up to check for the presence of a signal in the Sniff Mode. The Sniff Mode, between 390 and 460 MHz, is programmable to optimize power conservation and system performance.



Technical Features

- Operating Frequency: Target 433.92 MHz; Range 260 to 700 MHz
- TX Output Power: +6 dBm
- RX Sensitivity: Sniff Mode -90 dBm; Receive -103 dBm
- Data Rate: 1 to 19.2 Kbps, user selectable
- Power Requirements: Receive: 7.5 mA (continuous); Transmit: 25 mA full power, 50% duty cycle; Sniff Mode 750 uA at 1 ms rate (10% duty cycle); Standby RC Oscillator on (500 nA)
- Operating Voltage: 2.4 to 3.6 V
- Modulation: ASK (Amplitude Shift Keying)
- Xtal start time: 15 us
- Sniff Mode polling: 0.5 to 16s (0.5 ms or 64 ms steps)
- PLL Lock time: <50 us
- Selectable Data filter: 1 Kbps to 19.2 Kbps
- Internal Trim function for: TX Power; Independent Antenna for trim /tune; Xtal for frequency and fast start; RC for frequency; sniff for data threshold; data slice
- I²C interface: Control bus
- Serial interface: Data input/output
- Low frequency IF
- Internal IF filtering
- Package: 18-lead, 300 m SOIC

AMI Semiconductor

For information, visit www.amis.com, email rf2@amis.com or phone 208.233.4690 or +49 (0) 811.999.36.50.

Sniff Mode is a trademark of AMI Semiconductor, Inc. All other terms and product names in this document may be trademarks of other companies. AMI Semiconductor, Inc. reserves the right to change the detail specifications as may be required to permit improvements in the design of its products.