

3-channel H-bridge type BTL driver and 1-channel reversible driver for CD-ROM drives

BA5998FP

The BA5998FP is a 4-channel driver for CD-ROM and CD player motors and actuators. Three of the 4 channels are H-bridge BTL drivers, and 1 is a reversible driver for loading motors. This IC also has an internal 5V regulator and 28-pin HSOP package, allowing for application miniaturization.

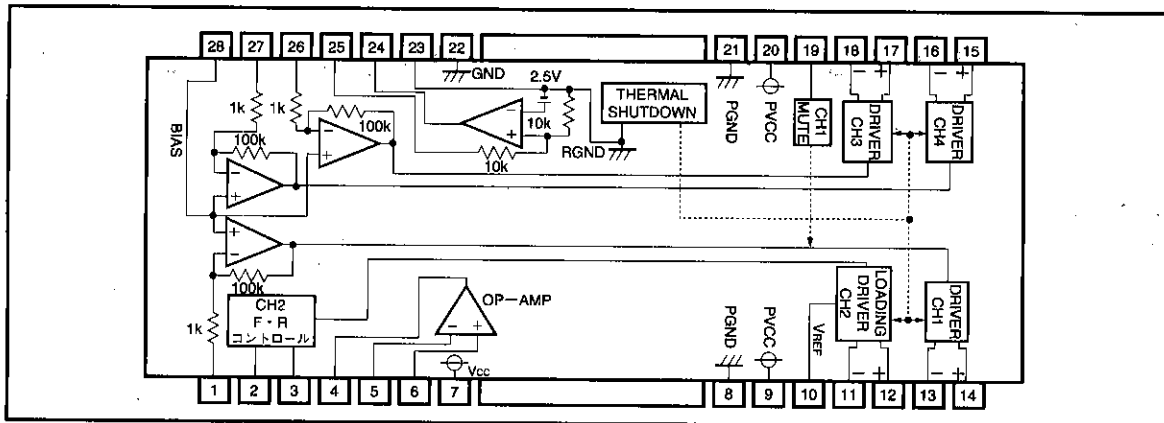
●Applications

CD-ROM drives and CD players

●Features

- 1) H-bridge BTL drivers (3 channels) and reversible driver (1 channel).
- 2) HSOP 28-pin package allows for miniaturization of applications.
- 3) Wide dynamic range.
- 4) Internal thermal shutdown circuit.
- 5) Gain is adjustable with an attached resistor.
- 6) Independence power supplies, for low-voltage operation and efficient drivers.
- 7) Standby mode when the preamplifier power supply is lowered.
- 8) CH1 output is muted when the mute pin voltage is raised above 2V.
- 9) Internal 5V regulator. (requires PNP transistor)
- 10) Internal standard operational amplifier. (reversible loading driver, CH2)
- 11) Four modes – forward, reverse, stop [free rotation] and brake – are output according to control logic input (two inputs).
- 12) Output voltage is set with the V_{REF} pin.

●Block diagram



● Absolute maximum ratings (Ta=25°C)

Parameter	Symbol	Limits	Unit
Power supply voltage	Vcc	18*1	V
Power dissipation	Pd	1.8*2	W
		2.9*3	
Operating temperature range	Topr	-35~85	°C
Storage temperature range	Tstg	-55~150	°C

*1 Applies to both VCCPRE and VCCPOW.

*2 When mounted to a 70 × 70 × 1.6 mm glass epoxy board with less than 3% copper foil

*3 When mounted to a 70 × 70 × 1.6 mm glass epoxy board with less than 60% copper foil

● Recommended operating conditions (Allow for power dissipation when setting supply voltage)

Parameter	Symbol	Min.	Typ.	Max.	Unit	
Power supply voltage	VCCPRE (Pre Vcc)	When regulator used	6.0	—	14.0	V
		When regulator not used *1	5.5	—	14.0	V
	VCCPOW (CH1,2 Power Vcc)	5.5	—	14.0	V	
	VCCPOW (CH3,4 Power Vcc)	1.5	—	14.0	V	

*1 Pins 24 and 25 may be left open when the regulator is not used.

● Pin description

Pin No.	Name	Function	Pin No.	Name	Function
1	VIN1	Channel 1 input	15	VO4+	Channel 4 positive output
2	FIN	Input of channel 2 forward control signal	16	VO4-	Channel 4 negative output
3	RIN	Input of channel 2 reverse control signal	17	VO3+	Channel 3 positive output
4	OPOUT	Operational amplifier output	18	VO3-	Channel 3 negative output
5	OPIN-	Operational amplifier negative input	19	MUTE1	Channel 1 mute
6	OPIN+	Operational amplifier positive input	20	VCCPOW	Power Vcc (channels 3 and 4)
7	VCCPRE	Pre-drive Vcc	21	PGND	Power ground (channels 3 and 4)
8	PGND	Power ground (channels 1 and 2)	22	GND	Pre-drive ground
9	VCCPOW	Power Vcc (channels 1 and 2)	23	RGND	Regulator ground
10	VREF	High level voltage for channel 2 output	24	REGB	Connect to base of attached PNP transistor
11	VO2-	Channel 2 negative output	25	REGOUT	5 V output (Note 3)
12	VO2+	Channel 2 positive output	26	VIN3	Channel 3 input
13	VO1-	Channel 1 negative output	27	VIN4	Channel 4 input
14	VO1+	Channel 1 positive output	28	BIAS	Bias input

Notes:1. "Driver positive output" and "driver negative output" indicate polarity relative to input. (For example, pin 14 is HIGH when pin 1 input is HIGH.)

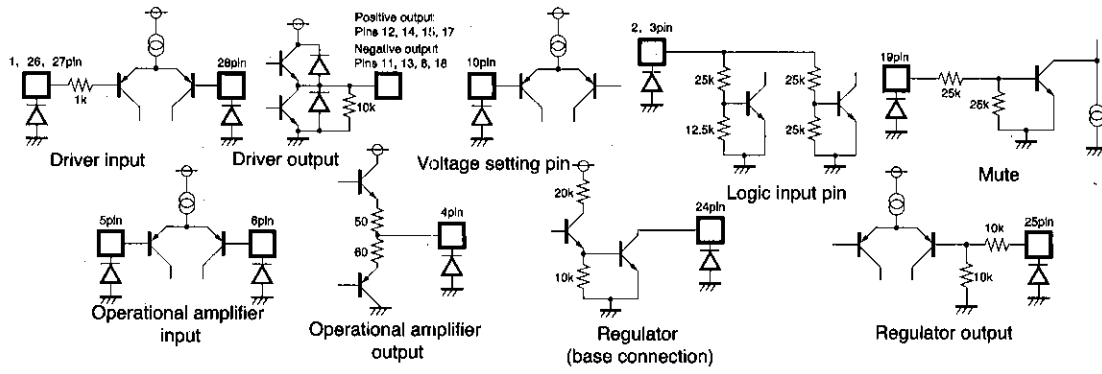
2. Pin 23 is the ground pin for the regulator and internal voltage source and so must be connected to a ground even if the regulator is not used.

3. Attach a transistor collector.

CD/CD-ROM Drivers (4 channels)

For CDs/CD-ROMs

● Input/output circuits



- Electrical characteristics (Unless otherwise noted, $T_a=25^\circ\text{C}$, $V_{CCPRE}=V_{CCPOW}=8\text{V}$, $\text{BIAS}=2.5\text{V}$, $V_{REF}=2.5\text{V}$, $R_L=8\text{V}$, $R_L=8\ \Omega$, $R_{IN}=33\text{k}\ \Omega$)

Parameter	Symbol	Min.	Typ.	Max.	Unit	Conditions	Measurement Circuit
Circuit current 1 (Vcc PRE)	I_{O1}	3.5	6.5	9.5	mA	Input open	Fig.1
Circuit current 2 (Vcc POW)	I_{O2}	—	—	10	μA	Input open	Fig.1
Standby current	I_{ST}	—	—	1	μA	$V_{CCPRE}=\text{OFF}$, $V_{CCPOW}=4\text{V}$	Fig.1
(CH1, CH3, CH4)							
Input voltage, offset	V_{OI}	-5	0	5	mV		Fig.1
Output voltage, offset	V_{OO}	-5	0	5	mV		Fig.1
Dead zone	V_{DB}	5	13	20	mV	Total for positive and negative	Fig.1
Max. output amplitude	V_{OM}	5.0	5.4	—	V	$V_{IN}=\pm 2.5\text{V}$	Fig.1
Voltage gain	G_{VC}	4.5	7.5	10.5	dB	$V_{IN}=\pm 0.5\text{V}$	Fig.1
Positive/negative volt.gain differential	ΔG_{VC}	-1.5	0	1.5	dB		Fig.1
Mute-on voltage	V_{MON}	2.0	—	—	V	CH1only	Fig.1
Mute-off voltage	V_{MOFF}	—	—	0.5	V	CH1only	Fig.1
(Loading driver CH2)							
Input voltage, high level	V_{IH}	4.0	—	—	V		Fig.1
Input voltage, low level	V_{IL}	—	—	0.5	V		Fig.1
Input current, high level	I_{IH}	—	290	450	μA		Fig.1
Input current, low level	I_{IL}	-2.0	—	+2.0	μA		Fig.1
Vref pin leak output current	I_{REF}	—	0.02	1.0	μA	Forward or reverse mode	Fig.1
Output saturation voltage	V_{OE}	—	1.4	2.1	V	Sum of top and bottom invalid voltage when $I_O=100\text{mA}$, $V_{REF}=5\text{V}$ output transistor	Fig.1
Output voltage 1	V_{OUT1}	4.8	5.05	5.3	V	Forward mode $I_O=0\text{mA}$	Fig.1
Output voltage 2	V_{OUT2}	-5.3	-5.05	-4.8	V	Reverse mode $I_O=0\text{mA}$	Fig.1
Output voltage 3	V_{OUT3}	-50	0	50	mV	Break mode $I_O=100\text{mA}$	Fig.1
Output voltage 4	V_{OUT4}	-50	0	50	mV	Stop mode	Fig.1
Output load variation	ΔV_{OUT}	—	170	270	mV	*1	Fig.1
(5 V regulator)							
Output voltage	V_{REG}	4.75	5.00	5.25	V	$I_L=100\text{mA}$	Fig.2
Output load variation	ΔV_{RL}	-50	0	10	mV	$I_L=0\sim 200\text{mA}$	Fig.2
Supply voltage variation	ΔV_{VCC}	-10	0	60	mV	($V_{CC}=6\sim 14\text{V}$) $I_L=100\text{mA}$	Fig.2
Drop voltage	V_{DIF}	—	0.3	0.6	V	$V_{CC}=4.7\text{V}$, $I_L=200\text{mA}$ *2	Fig.2
Vreg amplifier output current	I_{REG}	8	20	—	mA	$V_{CC}=4.7\text{V}$, 3 V impressed *3	Fig.2
(Operational amplifier)							
Offset voltage	V_{OFOP}	-5	0	5	mV		Fig.2
Input bias current	I_{BOP}	—	—	300	nA		Fig.2
Output voltage, high level	V_{OHOP}	6.5	7.2	—	V		Fig.2
Output voltage, low level	V_{OLOP}	—	—	1.8	V		Fig.2
Output drive current (sink)	I_{SINK}	10	40	—	mA	50 Ω at V_{CC}	Fig.2
Output drive current (source)	I_{SOURCE}	10	40	—	mA	50 Ω at GND	Fig.2
Open loop voltage gain	G_{VO}	—	72	—	dB	$V_{IN}=-75\text{dBV}$, 1kHz	Fig.2
Slew rate	SR	—	1	—	V/ μS		Fig.2

○ Not designed for radiation resistance.

*1 "Output load variation" refers to the difference in voltage between 200 mA source and 100 mA source from HIGH level output pin in forward or reverse mode, and the difference in voltage between 200 mA sink and 100 mA sink from LOW level output pin in forward or reverse mode.

*2 When power transformer satisfies characteristic $V_{set}\leq 0.2\text{V}$ at 200 mA (c).

*3 Pin 5 = open

CD/CD-ROM Drivers (4 channels)

For CDs/CD-ROMs

● Measurement circuit

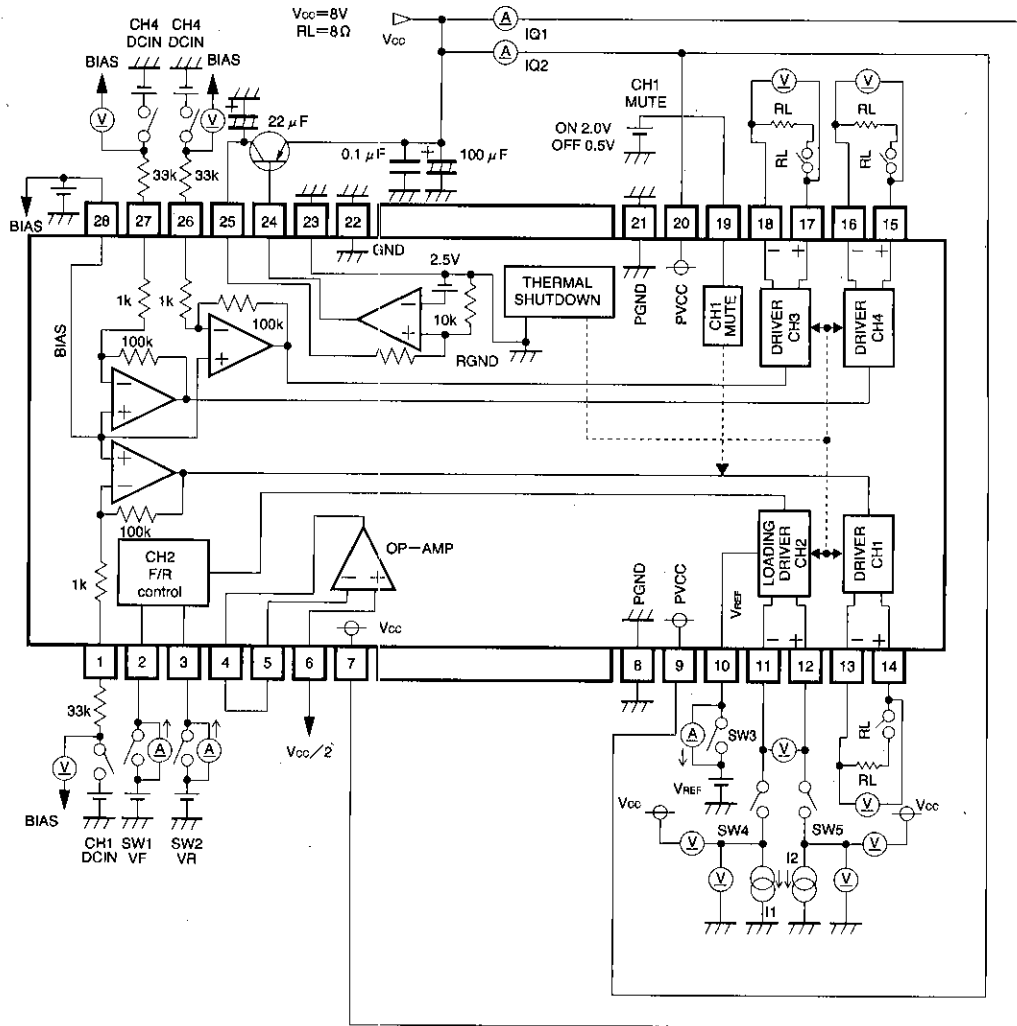


Fig. 1

● Measurement circuit

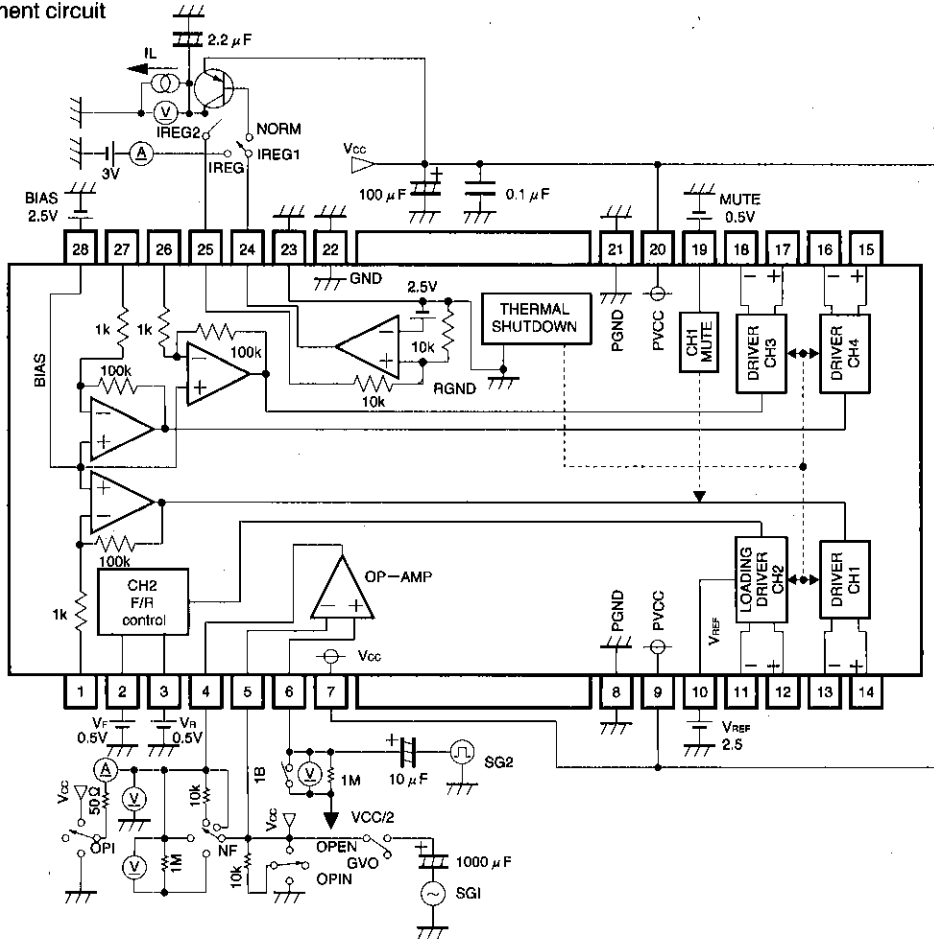


Fig. 2

● Circuit operation

1. Driver

Inputs to the IC are the focus tracking error signal from the servo preamplifier and the control signal from the motor. The input signals normally center on 2.5V and switch polarity depending on voltage size relative to the bias voltage. When polarity is switched, power

transistors Q1 and Q4 or Q2 and Q3 turn on. Power transistor Q1 or Q3, whichever is turned on, is driven by the full wave rectified signal and the level shifted signal, and supplies current to the load. When there is no input, both output pins are at the GND level.

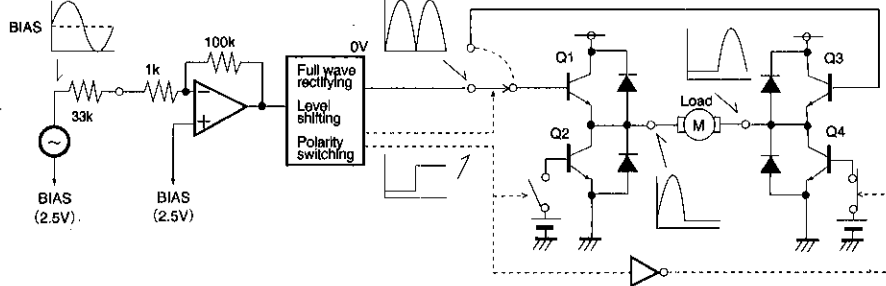


Fig. 3

2. Forward/reverse control block

The IC outputs the forward, reverse, stop (free rotation) or brake mode in accordance with the two control logic inputs.

〈Forward and reverse modes〉

An output voltage twice that of the reference voltage is generated.

〈Stop mode〉

Each pin changes to the high impedance state.

〈Brake mode〉

Each pin outputs 0V.

Logic input and output states

F _{IN}	R _{IN}	OUT (+)	OUT (-)	Mode
H	L	H	L	Forward
L	H	L	H	Reverse
H	H	L	L	Brake
L	L	OPEN	OPEN	Stop

• Normal voltage is not output when the reference voltage is below 1.0V or above $V_{CC}/2 - 1.0V$. When using the modes below, pass through the stop mode first in order to prevent current penetration. Stop mode times are as follows.

Mode	Stop mode time
Brake → forward/reverse	3 μs or more
Forward → Reverse	3 μs or more

3. Regulator

This is a typical series regulator that generates a reference voltage internally. A PNP low saturation transistor must be connected.

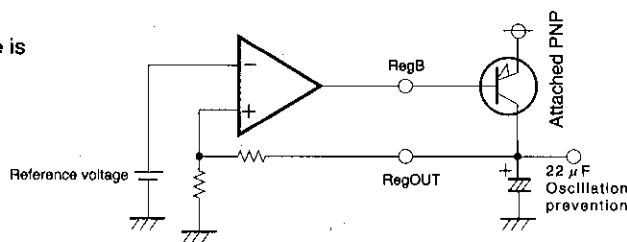


Fig. 4

4. Operational amplifier

A standard 4558 type.

● Application example

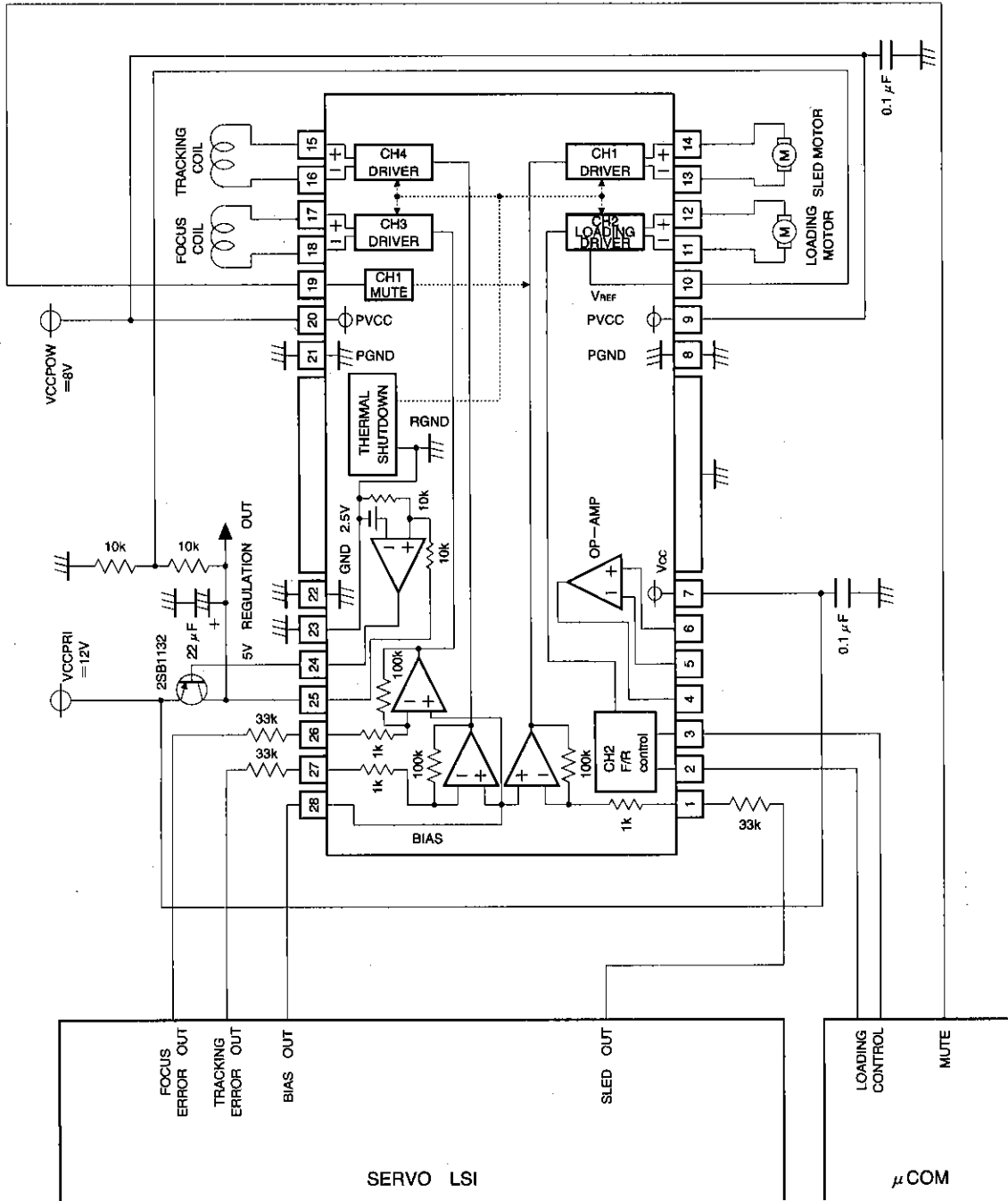


Fig. 5

For CDs/CD-ROMs CD/CD-ROM Drivers (4 channels)

● Operation notes

- The BA5998FP has an internal shutdown circuit. The output current is muted when the chip temperature exceeds 175°C (typically).
 - If the mute pin (19 pin) voltage is opened or lowered below 0.5V, the mute pin operates continuously. When the mute pin voltage changes to the HIGH level (above 2V), CH1 output (13, 14 pin) is muted.
 - The bias pin (28 pin) is muted when lowered below 1.4V (typically). Make sure it stays above 1.6V during normal use.
 - All four driver output channels are muted during thermal shutdown, muting and a drop in bias pin voltage. No other components are muted.
 - Dead zone width is determined as follows :
Dead zone width = input resistance \times 0.2 μ A
- A dead zone like that defined by the above equation occurs when gain is changed. For example, when the attached input resistor is 33k Ω :
Dead zone width = $V_{DB} = (33k + 1k) \times 0.2 \mu = 6.8mV$ (one side).
Thus, total dead zone width for positive and negative is 13.6mV.
- Be sure to connect the IC to a 0.1 μ F bypass capacitor to the power supply, at the base of the IC.
 - Connect the radiating fin to an external ground.
 - The capacitor between regulator output (24 pin) and GND also serves to prevent oscillation of the IC, so select one with good temperature characteristics.
 - Set input resistance to keep input current from exceeding 400 μ A.

● Electrical characteristic curves

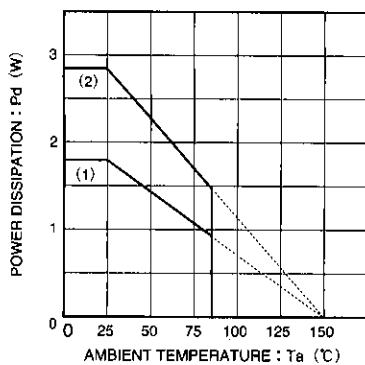


Fig. 6 Thermal derating curve

- When mounted to a 70 \times 70 \times 1.6 mm glass epoxy board with less than 3% copper foil
- When mounted to a 70 \times 70 \times 1.6 mm glass epoxy board with less than 60% copper foil

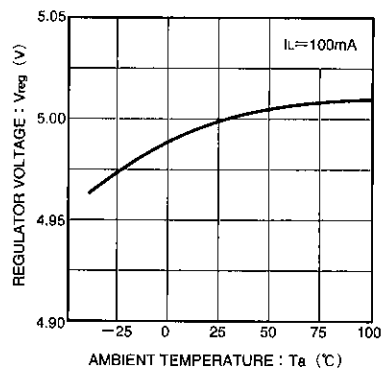


Fig. 7 Regulator voltage vs. temperature

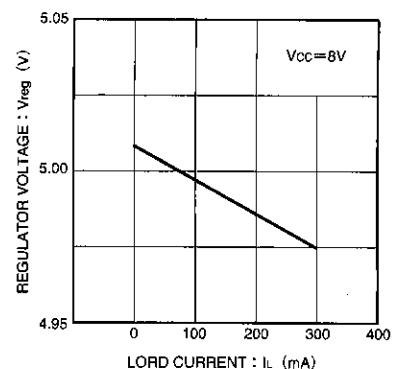


Fig. 8 Load current vs. regulator voltage

● Electrical characteristic curves

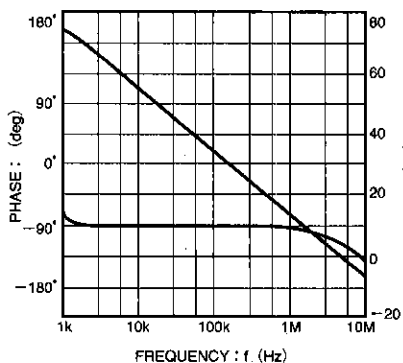


Fig. 9 Operational amplifier vs. open loop characteristics

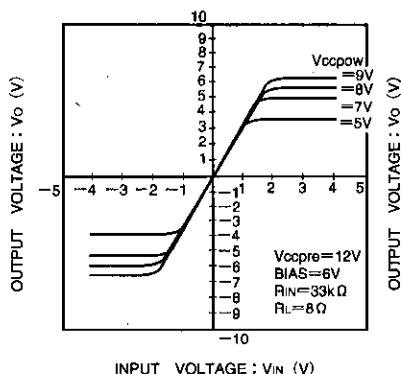


Fig. 10 Driver I/O characteristics (variable VCCPOW)

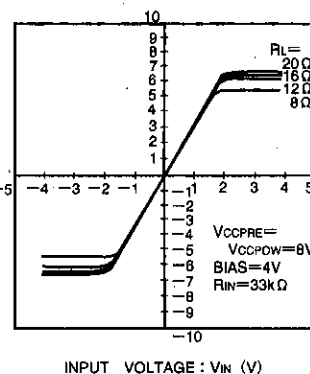


Fig. 11 Driver I/O characteristics (variable load)

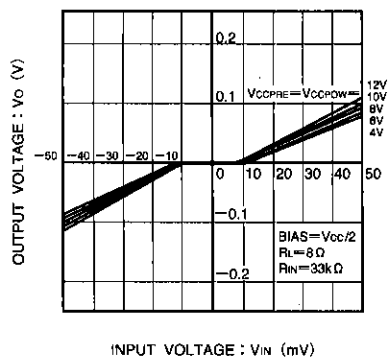


Fig. 12 Dead zone I/O characteristics

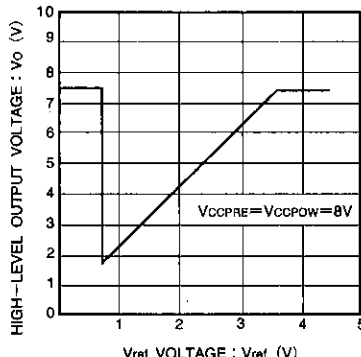


Fig. 13 Reference voltage vs. output voltage

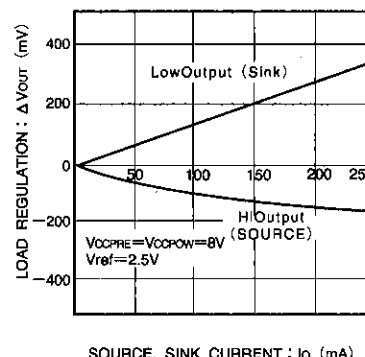
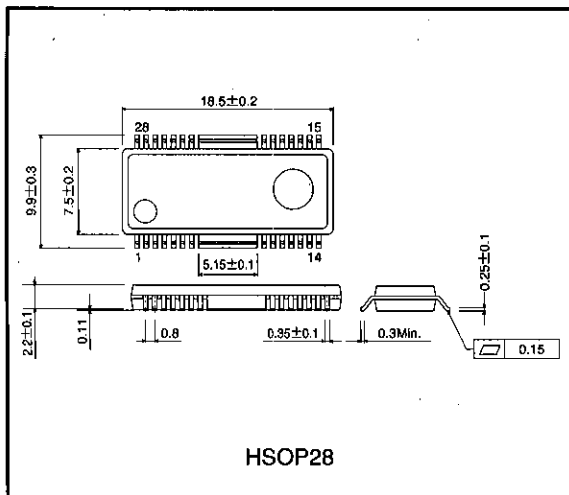


Fig. 14 Current (source and sink) vs. output voltage variation

● External dimensions (Units: mm)



Notes

- The contents described in this catalogue are correct as of March 1997.
- No unauthorized transmission or reproduction of this book, either in whole or in part, is permitted.
- The contents of this book are subject to change without notice. Always verify before use that the contents are the latest specifications. If, by any chance, a defect should arise in the equipment as a result of use without verification of the specifications, ROHM CO., LTD., can bear no responsibility whatsoever.
- Application circuit diagrams and circuit constants contained in this data book are shown as examples of standard use and operation. When designing for mass production, please pay careful attention to peripheral conditions.
- Any and all data, including, but not limited to application circuit diagrams, information, and various data, described in this catalogue are intended only as illustrations of such devices and not as the specifications for such devices. ROHM CO., LTD., disclaims any warranty that any use of such device shall be free from infringement of any third party's intellectual property rights or other proprietary rights, and further, assumes absolutely no liability in the event of any such infringement, or arising from or connected with or related to the use of such devices.
- Upon the sale of any such devices; other than for the buyer's right to use such devices itself, resell or otherwise dispose of the same; no express or implied right or license to practice or commercially exploit any intellectual property rights or other proprietary rights owned or controlled by ROHM CO., LTD., is granted to any such buyer.
- The products in this manual are manufactured with silicon as the main material.
- The products in this manual are not of radiation resistant design.

The products listed in this catalogue are designed to be used with ordinary electronic equipment or devices (such as audio-visual equipment, office-automation equipment, communications devices, electrical appliances, and electronic toys). Should you intend to use these products with equipment or devices which require an extremely high level of reliability and the malfunction of which would directly endanger human life (such as medical instruments, transportation equipment, aerospace machinery, nuclear-reactor controllers, fuel controllers, or other safety devices) please be sure to consult with our sales representatives in advance.

- Notes when exporting
 - It is essential to obtain export permission when exporting any of the above products when it falls under the category of strategic material (or labor) as determined by foreign exchange or foreign trade control laws.
 - Please be sure to consult with our sales representatives to ascertain whether any product is classified as a strategic material.