

VCO with sensitivity adjustment function

BA7042

The BA7042 is a monolithic IC comprising a VCO (voltage controlled oscillator) with sensitivity adjusting capabilities. The oscillation frequency can be set with an external constant, and is controlled according to the control voltage. The BA7042 can be used to produce high-modulation-factor FM signals by superimposing its control voltage with AC signals, and to configure a PLL circuit just by attaching a frequency divider and a phase comparator.

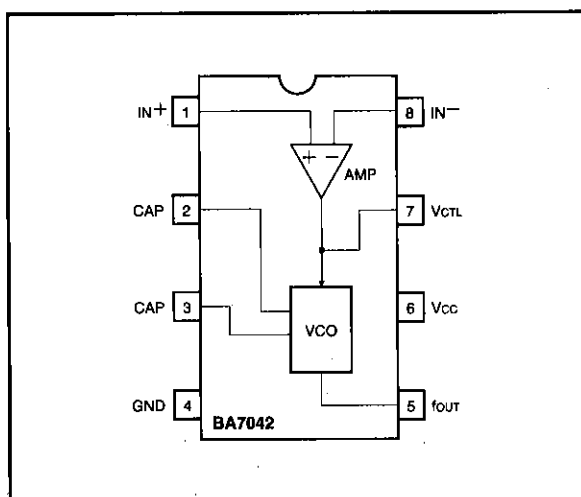
●Applications

FM intercom
FM wireless microphone
FSK modem

●Features

- 1) The number of external components is minimized.
- 2) Internal control amplifier for the VCO.
- 3) Oscillation frequency can be set with an external constant.
- 4) Maximum oscillation frequency of 18MHz.
- 5) DIP 8-pin package.

●Block diagram



● Absolute maximum ratings (Ta=25°C)

Parameter	Symbol	Limits	Unit
Power supply voltage	V _{CC}	7.0	V
Power dissipation	P _d	800 *	mW
Operating temperature	T _{opr}	-20~70	°C
Storage temperature	T _{stg}	-55~125	°C

* Reduced by 8.0 mW for each increase in Ta of 1°C over 25°C.

● Recommended operating conditions

Parameter	Symbol	Min.	Typ.	Max.	Unit	Conditions
Power supply voltage	V _{CC}	4.5	5.0	5.5	V	—

● Electrical characteristics (unless otherwise noted, Ta=25°C, V_{CC}=5.0V)

Parameter	Symbol	Min.	Typ.	Max.	Unit	Conditions	Measurement Circuit
Quiescent current	I _o	6.0	12.2	19.0	mA	—	Fig.1
VCO control voltage range	V _{CTL}	2.0	2.5	3.0	V	Pin 7 voltage	Fig.1
Frequency control sensitivity	G _f	-4.85	-5.20	-5.55	MHz / V	f _o = 14.3 MHz, amplifier gain = 0 dB	Fig.1
Frequency power supply variation	Δf _v	—	—	-600	kHz / V	f _o = 14.3MHz	Fig.1
Maximum oscillation frequency	f _{max}	18	—	—	MHz	V _{out} ≥ 1.0V _{P-P} , R _L = 5kΩ	Fig.1
Oscillation output	V _{OUT}	1.0	1.6	2.0	V _{P-P}	f _o = 100kHz, R _L = 5kΩ	Fig.1
VCO output duty ratio	D _U	48	50	52	%	f _o = 100kHz, C _T = 4700pF	Fig.1

● Measurement circuit

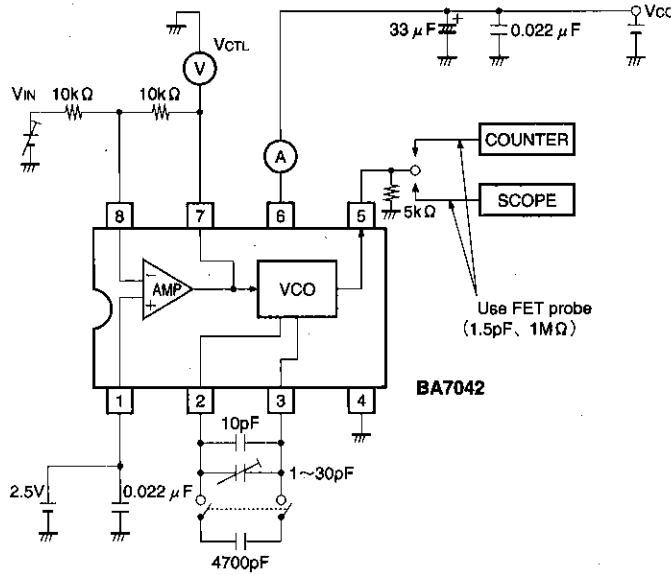


Fig. 1

● Application example

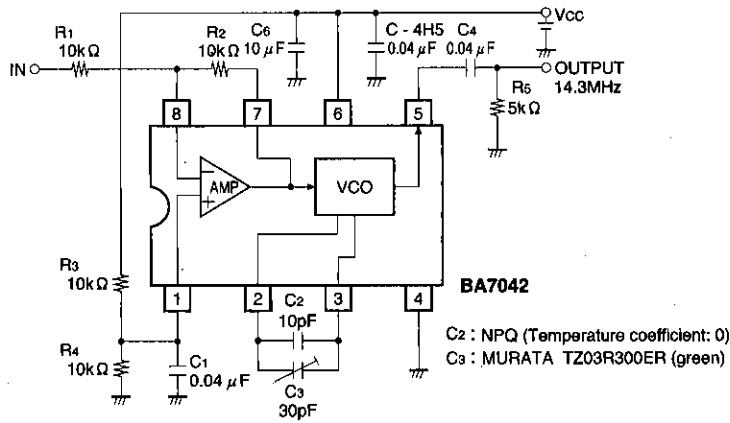


Fig. 2

VCO for CD-ROM

For CDs/CD-ROMs

● Circuit operation

1) Circuit configuration

The control voltage, input through pin 1, is amplified by the control amplifier, then output to pin 7 and input to the VCO control circuit. The oscillation frequency of the VCO is determined by the attached capacitor and controlled according to the control voltage. Highly modulated FM signals can be produced by superimposing the control voltage with AC signals.

2) Block description

(1) Control amplifier (1 pin, 7 pin, 8 pin)

The differential amplifier's positive input is pin 1, its negative input pin 8, and its output pin 7. Set the input bias voltage so that the pin 7 voltage is $V_{CC}/2$. The amplification degree is determined by the external constant.

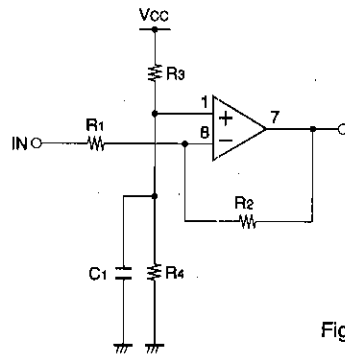


Fig. 3

(2) VCO (2 pin, 3 pin, 5 pin)

The oscillator's center frequency is set with an external capacitor. Use the following equation to calculate oscillation frequency :

$$f \approx \frac{1}{C \text{ (pF)}} \times (1.3 \times V_7 + 0.15) \times 10^2 \text{ [MHz]}$$

where $C = C_2 + C_3$, $V_7 =$ pin 7 voltage

The oscillation frequency set by the capacitor is the center frequency in the VCO's frequency variation range. The VCO can be given a roughly linear oscillation frequency by changing its control voltage.

$$\text{Amplification degree (Gv)} = 20 \log \frac{R_2}{R_1} \text{ (dB)}$$

$$\text{Input impedance (Z}_{IN}) = R_1$$

$$\text{Bias (R}_3) = R_4$$

C1: For decoupling and bypass capacitor

$$\text{Bias (R}_3) = R_4$$

● Operation notes

1) Temperature drift of the oscillator circuit can be reduced by configuring with a capacitor having a temperature coefficient. Temperature drift with a capacitor having a temperature coefficient of zero is $-30\text{kHz}/^\circ\text{C}$ when $C=25\text{pF}$, $f_0=14.3\text{MHz}$, $V_{CTL}=2.5\text{V}$.

2) The control amplifier's frequency characteristics depend on NF. When used as a reversing amplifier, cutoff frequency is roughly 100kHz with a gain of 20dB. When configuring PLL circuits, remember that loop stability is affected by the amplifier's frequency characteristics.

● Electrical characteristic curves

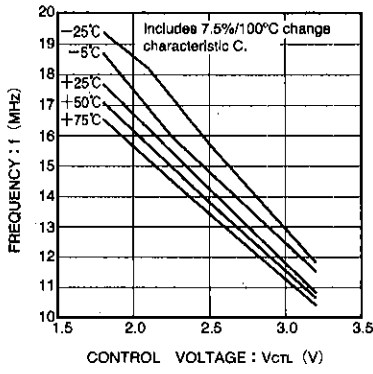


Fig. 4 Frequency vs. control voltage temperature characteristics

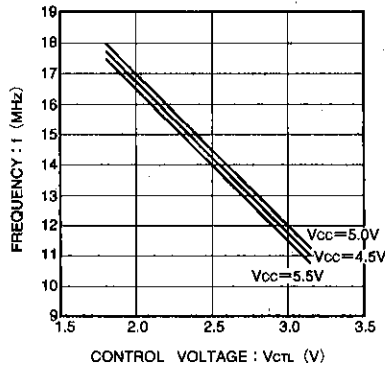


Fig. 5 Frequency vs. control voltage characteristics

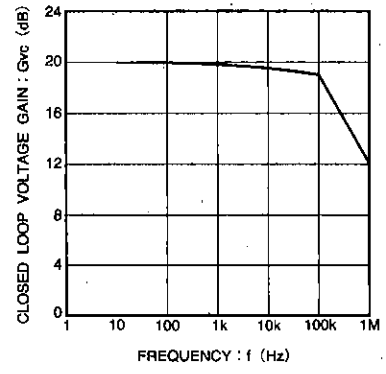


Fig. 6 Closed loop voltage gain vs. frequency characteristics (reversing amplifier)

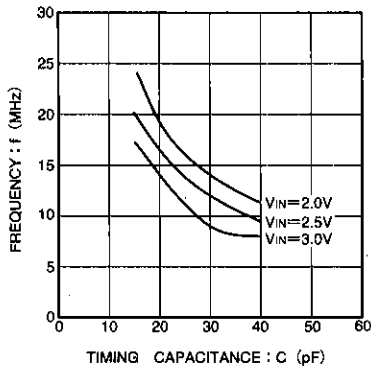
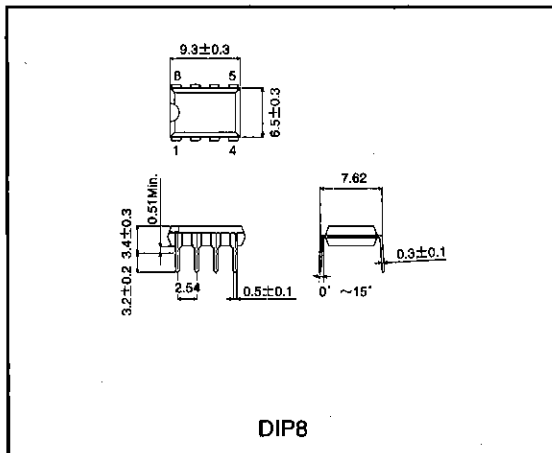


Fig. 7 Frequency vs. timing capacitor capacitance characteristics

● External dimensions (Units: mm)



DIP8

VCO for CD-ROM

For CDs/CD-ROMs

Notes

- The contents described in this catalogue are correct as of March 1997.
- No unauthorized transmission or reproduction of this book, either in whole or in part, is permitted.
- The contents of this book are subject to change without notice. Always verify before use that the contents are the latest specifications. If, by any chance, a defect should arise in the equipment as a result of use without verification of the specifications, ROHM CO., LTD., can bear no responsibility whatsoever.
- Application circuit diagrams and circuit constants contained in this data book are shown as examples of standard use and operation. When designing for mass production, please pay careful attention to peripheral conditions.
- Any and all data, including, but not limited to application circuit diagrams, information, and various data, described in this catalogue are intended only as illustrations of such devices and not as the specifications for such devices. ROHM CO., LTD., disclaims any warranty that any use of such device shall be free from infringement of any third party's intellectual property rights or other proprietary rights, and further, assumes absolutely no liability in the event of any such infringement, or arising from or connected with or related to the use of such devices.
- Upon the sale of any such devices; other than for the buyer's right to use such devices itself, resell or otherwise dispose of the same; no express or implied right or license to practice or commercially exploit any intellectual property rights or other proprietary rights owned or controlled by ROHM CO., LTD., is granted to any such buyer.
- The products in this manual are manufactured with silicon as the main material.
- The products in this manual are not of radiation resistant design.

The products listed in this catalogue are designed to be used with ordinary electronic equipment or devices (such as audio-visual equipment, office-automation equipment, communications devices, electrical appliances, and electronic toys). Should you intend to use these products with equipment or devices which require an extremely high level of reliability and the malfunction of which would directly endanger human life (such as medical instruments, transportation equipment, aerospace machinery, nuclear-reactor controllers, fuel controllers, or other safety devices) please be sure to consult with our sales representatives in advance.

- Notes when exporting
 - It is essential to obtain export permission when exporting any of the above products when it falls under the category of strategic material (or labor) as determined by foreign exchange or foreign trade control laws.
 - Please be sure to consult with our sales representatives to ascertain whether any product is classified as a strategic material.